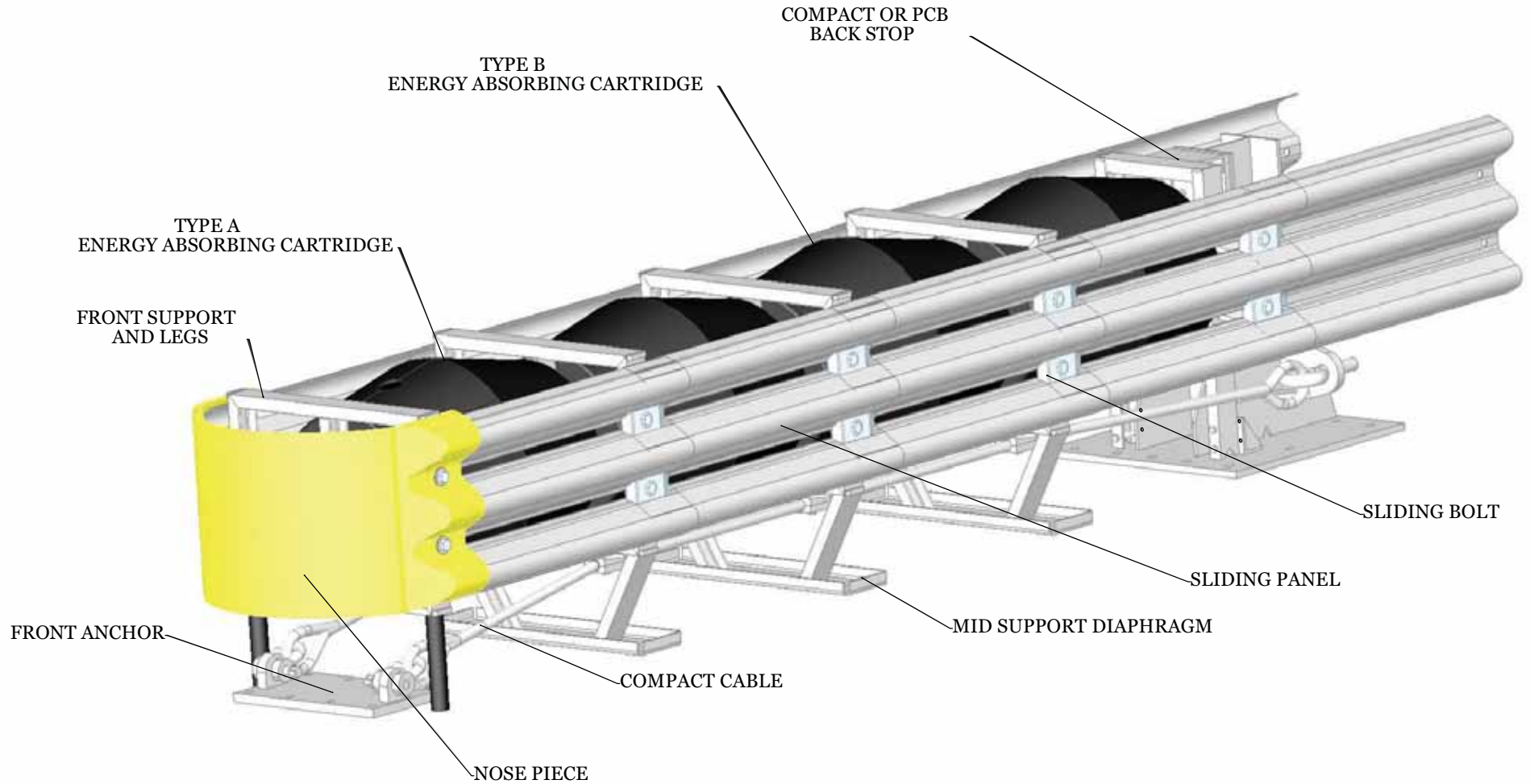


# TAU-II<sup>®</sup> CRASH CUSHION SYSTEM

## PARTS IDENTIFICATION MANUAL





1	Adapter Assy. 36" Backstop	B031201
2	Anchor Kit- Large - Wide	K001022
3	Anchor Kit - Small - Wide	K001023
4	Anchor Kit - PCB & Compact Backstop - Concrete	K001006
5	Anchor Kit - Flush Mount - Concrete	K001027
6	Anchor Kit - PCB - Asphalt	K001009
7	Anchor Kit - Compact - Asphalt	K001007
8	Anchoring Package - PCB - Asphalt	APCB-Kit
9	Anchoring Package -Compact- Asphalt w/ Epoxy	B020414
10	Anchoring Package - BG800, Concrete	CBGB
11	Anchor Kit - BG800, Concrete	K070222
12	Anchoring Package - BG800, Asphalt	ABGB
13	Anchor Kit - BG800, Asphalt	K070223
14	Adapter Weldment, Compact Backstop -Asphalt	B020343
15	Bumper - Wide Assembly	K001065
16	Bumper - Plate	B031110
17	Backstop, Wide Flange	B030668
18	Backstop, PCB	B040425
19	Backstop, Compact	B040430
20	Backstop, Flush Mount 30" Assembly	FMB30-KIT
21	Backstop, Flush Mount 36" Assembly	FMB36-KIT
22	Backstop, Flush Mount Backstop	B040214
23	Backstop, Flush Mount Face Plate	B040216
24	Backstop, Flush Mount Cable Pin	B040408
25	Backstop, Flush Mount Cable Spacer	B040409
26	Backstop Blackout -Wide	B030713
27	Backstop, BG800 Terminal	B040847
28	Backstop, BG800 Terminal Hardware Kit	K001052
29	Back Up Plate, Wide	B030543
30	Bridge / End Shoe	4002049
31	Cable 2 Bay - Parallel	B011024

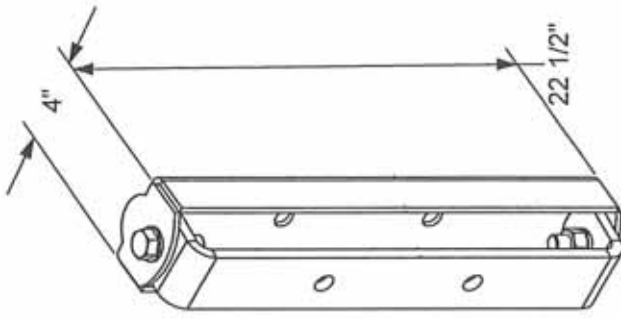
32	Cable 3 Bay - Parallel	B011023
33	Cable 4 Bay	B010917
34	Cable 5 Bay	B011022
35	Cable 6 Bay	B011021
36	Cable 7 Bay	B011020
37	Cable 8 Bay	B010916
38	Cable 9 Bay	B011019
39	Cable 10 Bay	B011018
40	Cable 11 Bay	B020765
41	Cable 12 Bay	B020766
42	Cable 2 Bay - Wide	B034100
43	Cable 3 Bay	B034101
44	Cable 4 Bay	B034102
45	Cable 5 Bay	B034103
46	Cable 6 Bay	B034104
47	Cable 7 Bay	B034105
48	Cable 8 Bay	B034106
49	Cable 9 Bay	B034107
50	Cable 10 Bay	B034108
51	Cable 11 Bay	B034109
52	Cable 12 Bay	B034110
53	Cable Guide Assembly Kit (2 ea.)	K001004
54	Cable Guide Mount	B030411
55	Cable Key Rear Anchor, Wide	B030942
56	Cable Key Front Anchor, Reverse	B040501
57	Cable Socket- 2 1/2" Parallel	B040401
58	Cable Socket- 3 1/8" Wide	B040234
59	Energy Absorbing Cartridge, Type A	B010802
60	Energy Absorbing Cartridge, Type B	B010722
61	EAC Locator Tab (4 each)	K001028
62	Extra Hardware 30" Kit	K001025

63	Extra Hardware 36" Kit	K001026
64	End Panel	B010659
65	End Panel, Angled	B040203
66	Epoxy Cartridge	4002210
67	Epoxy Gun	4002211
68	Front Cable Anchor Compact, PCB	B010248
69	Front Cable Anchor Wide	B030935
70	Front Cable Anchor (Reverse - Flush Mount)	B040412
71	Front Cable Anchor - Asphalt	B020425
72	Front Collision Plate	B030801
73	Front Support Assembly	B030704
74	Front Support Leg Kit (2 ea.)	K001005
75	JJ Hook Adapter Assembly	K001036
76	Lateral Cable Assembly	K001031
77	Lateral Mount -Backstop	B031011
78	Lateral Mount -Bulkhead	B031010
79	Leg, Wide	B030425
80	Leg Adapter Plate	A040223
81	Level Spacer	B030551
82	Mid Support Assembly	B030703
83	Mid Support Weldment	B040330
84	Mid Support Lower Leg Weldment	B040331
85	Nose Piece Only, Parallel, Black (Yellow - B030516)	B010711
86	Nose Piece, Mounting Hardware (Parallel & Wide)	K001013

87	Nose Piece, Wide, Kit, Black (Yellow-K001034)	K001029
88	Nose Piece Only, Wide, Black (Yellow B050443)	B030902
89	Nose Piece, Wide, Rivet Kit	K001033
90	PCB to Compact Backstop Brace, Asphalt	B040319
91	PCB Anchor - Formed Pieces	B020409
92	PCB Asphalt Anchor Plates w/o Anchors or Epoxy	XPCB-Kit
93	Pipe Panel Mount	B010651
94	Pipe Panel Mount Hardware	K001017
95	Rear Cable Anchor ( Backstop ) Wide	B031020
96	Rear Cable Anchor ( Ind ) Wide	B030938
97	Rear Cable Anchor - Right	B010929
98	Rear Cable Anchor - Left	B011041
99	Shackle	4002120
100	Sliding Bolt Assembly Kit (4 ea.)	K001003
101	Sliding Panel	B010202
102	Spacer ( Wing Brace )	B030823
103	Transition Assembly (Single Side) - Parallel	K001051
104	Wing Assembly (Transition)	B030910
105	Wing Assembly	B030509
106	Wing Weldment (Transition)	B030911
107	Wing Brace	B030821
108	XL Bulkhead	B030521
109	XXL Bulkhead	B030528
110	XXXL Bulkhead	B030529



appr.	DGB	BILL OF MATERIALS	36" BACKSTOP ADAPTER ASSEMBLY	B031201
ITEM	QTY / DWG	PART DESCRIPTION	SPECIFICATION/CONFIGURATION	PART #
1	1	ADAPTER PLATE	NA	B031202
2	1	VERTICAL PIVOT WELDMENT	NA	B030510
3	2	HEX BOLT	20MM-2.5 X 65MM, GR2, GALV	2001495
4	2	FLAT WASHER	20MM, GR2, GALV	2001160
5	2	SPLIT LOCK WASHER	20MM, GR2, GALV	2001501
6	2	HEX NUT	20MM-2.5, GR2, GALV	2001499



26#

SCALE: 1:1		DATE		INIT.		Standard Tolerance	
DRAWN BY	APPR'D BY	03/09/07	DN	Angular	Fractional	Dec .XXX±	Dec .XX±
				± 1/2°	± 1/16"	± .010	± .030
TITLE:							
TAU ADAPTER ASSEMBLY 36 BACKSTOP							
REV.	CHANGES	DATE	BY	REQ'D	NEXT ASSY.	ITEM	

**BARRIER SYSTEMS INC**  
 180 RIVER RD. RIO VISTA, CA 94571  
 TEL: 707-374-8800 FAX: 707-374-8801

SHEET	DRAWING NUMBER	REV.
1 OF 1	B031201-NY	

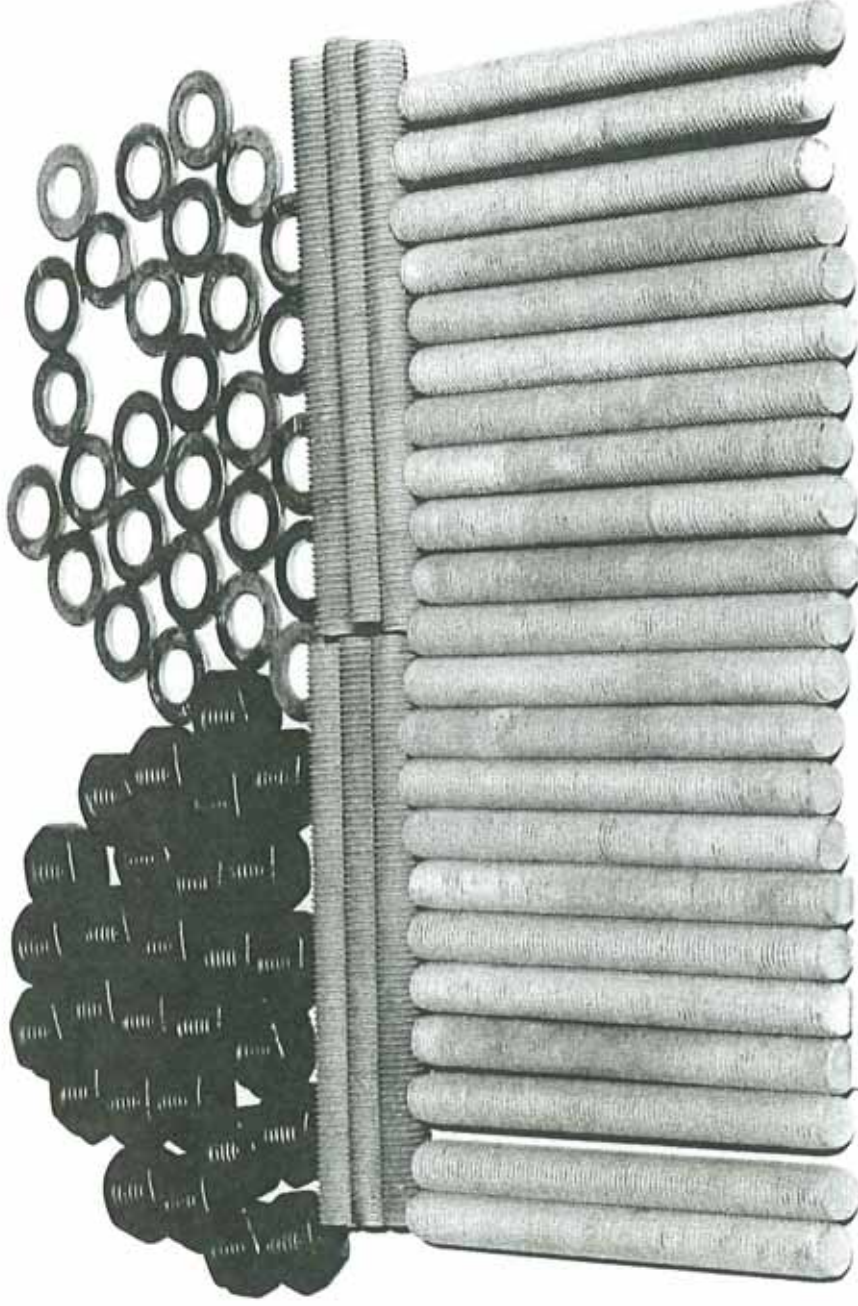
2



**K001022**

Anchor Kit  
Large - Wide

50#



**K001023**

Anchor Kit  
Small - Wide





**K001006**

**Anchor Kit**  
**PCB – COMPACT**  
**CONCRETE**

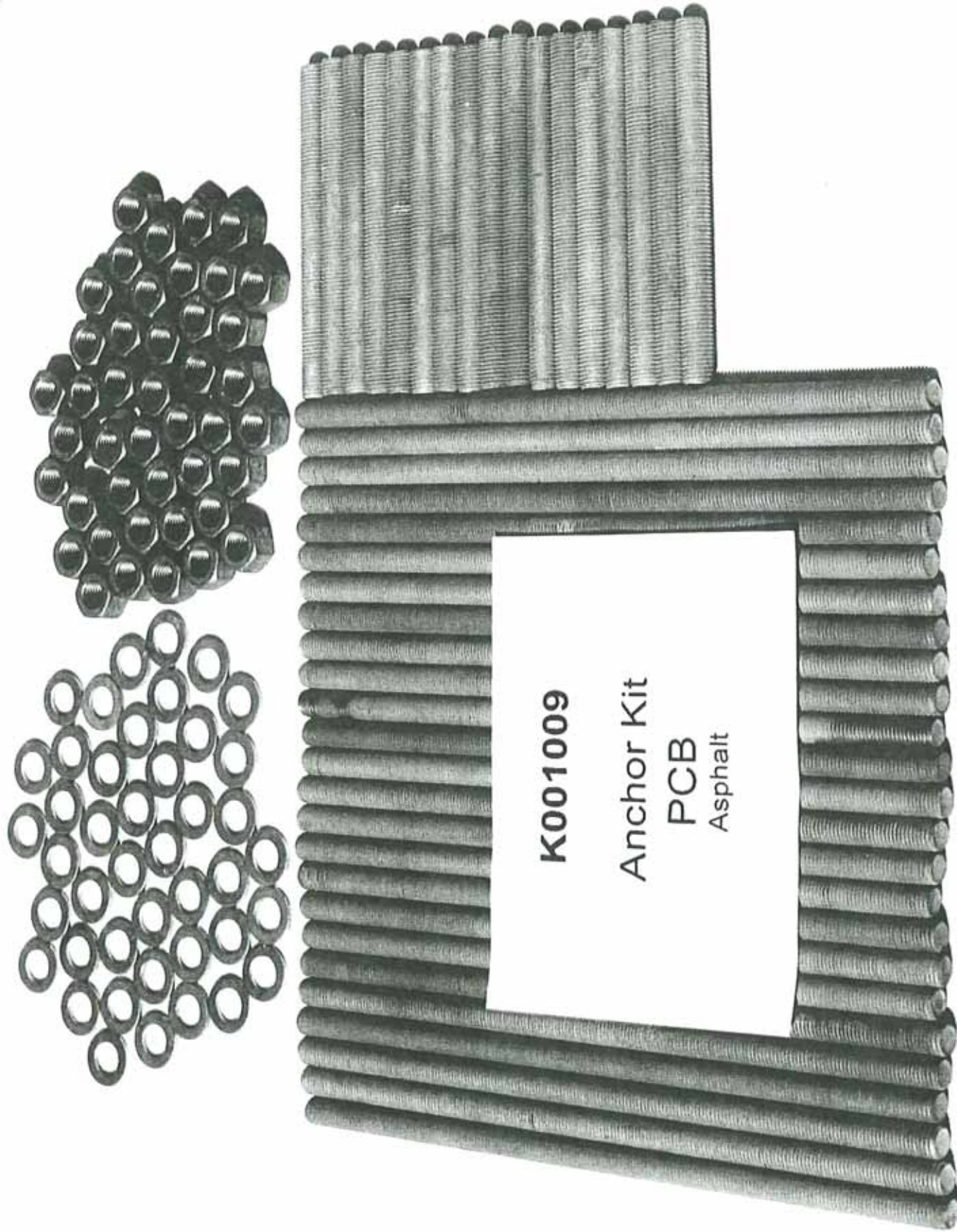


5

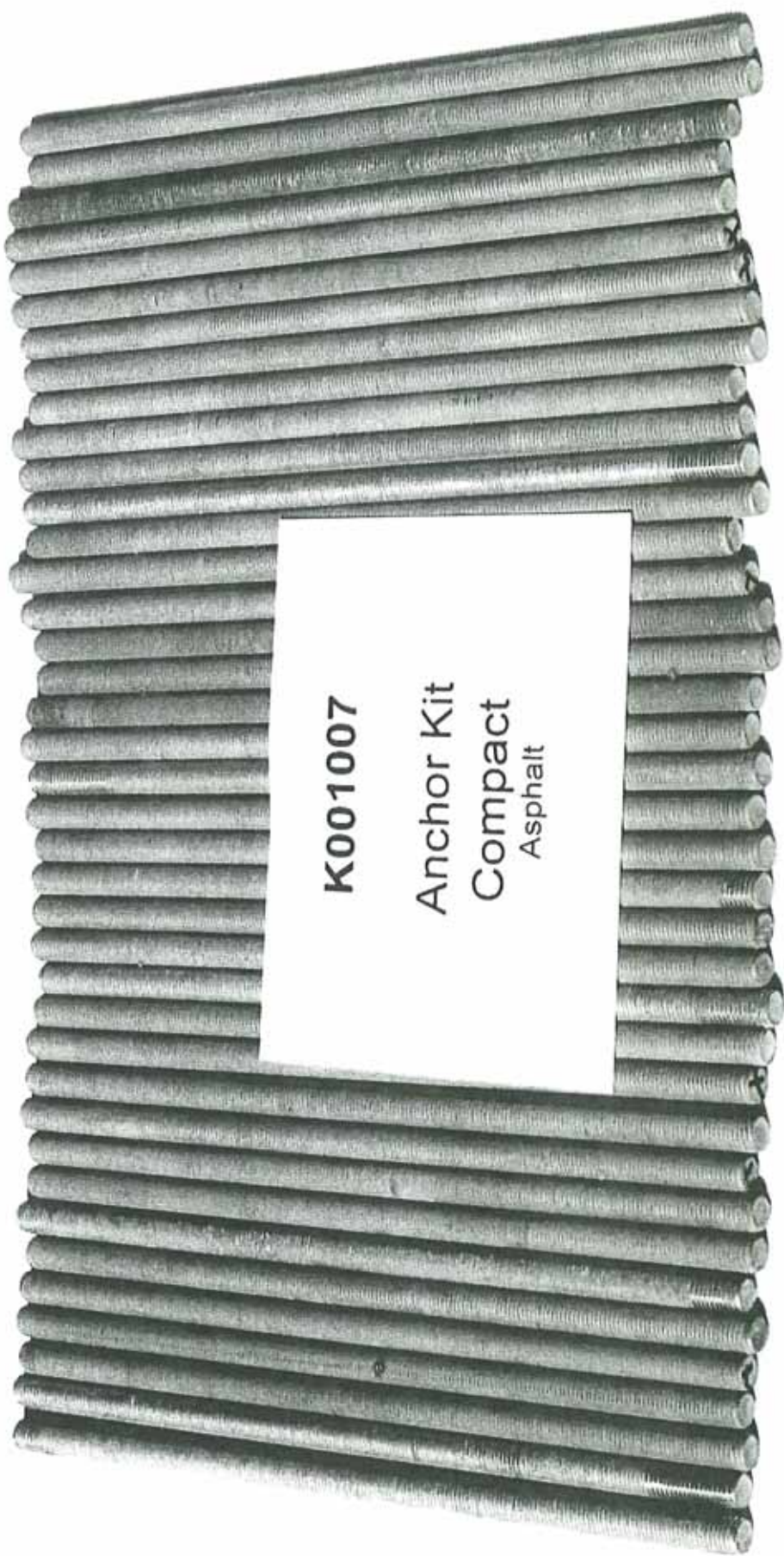


**K001027**

Anchor Kit  
Flush Mount  
CONCRETE

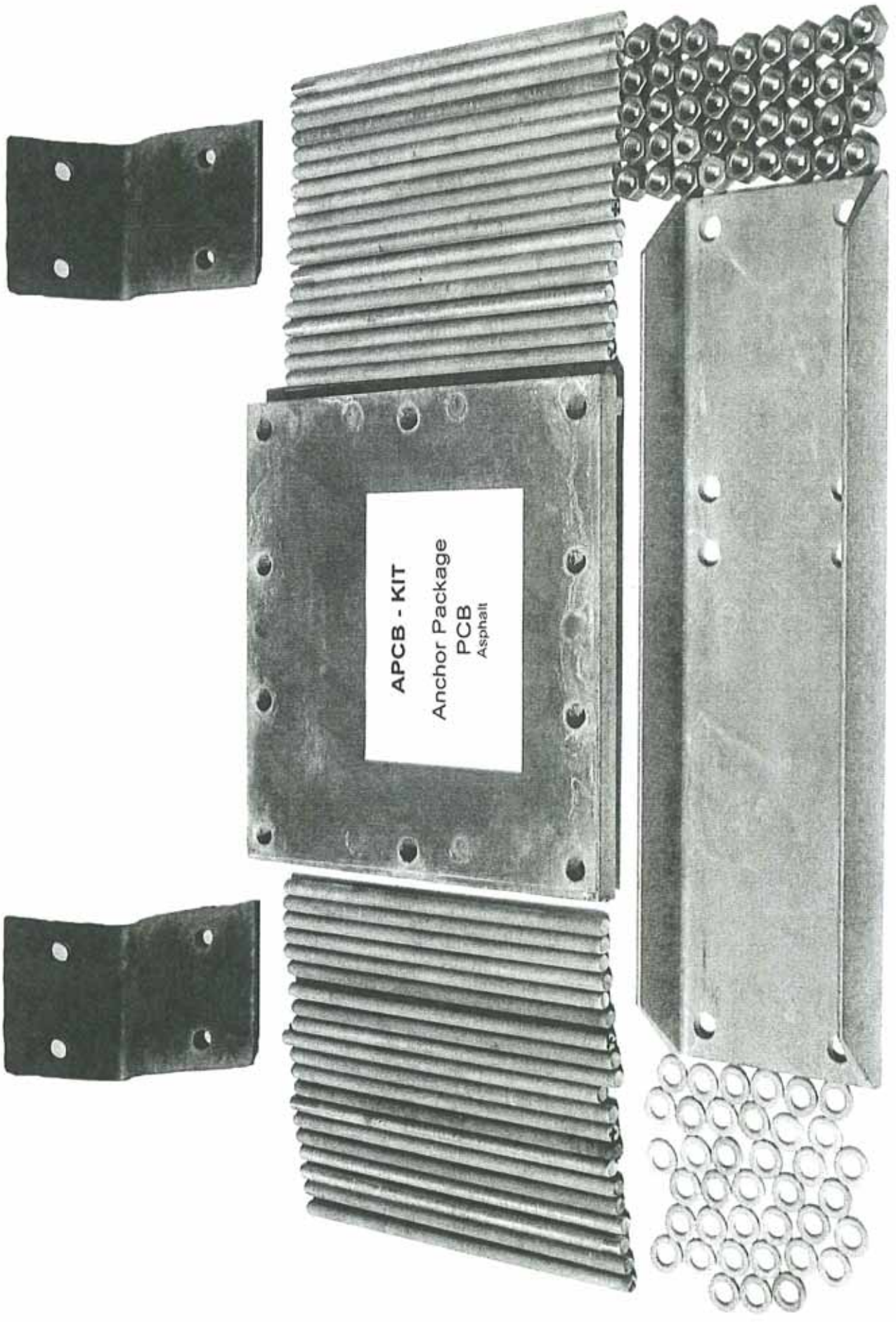




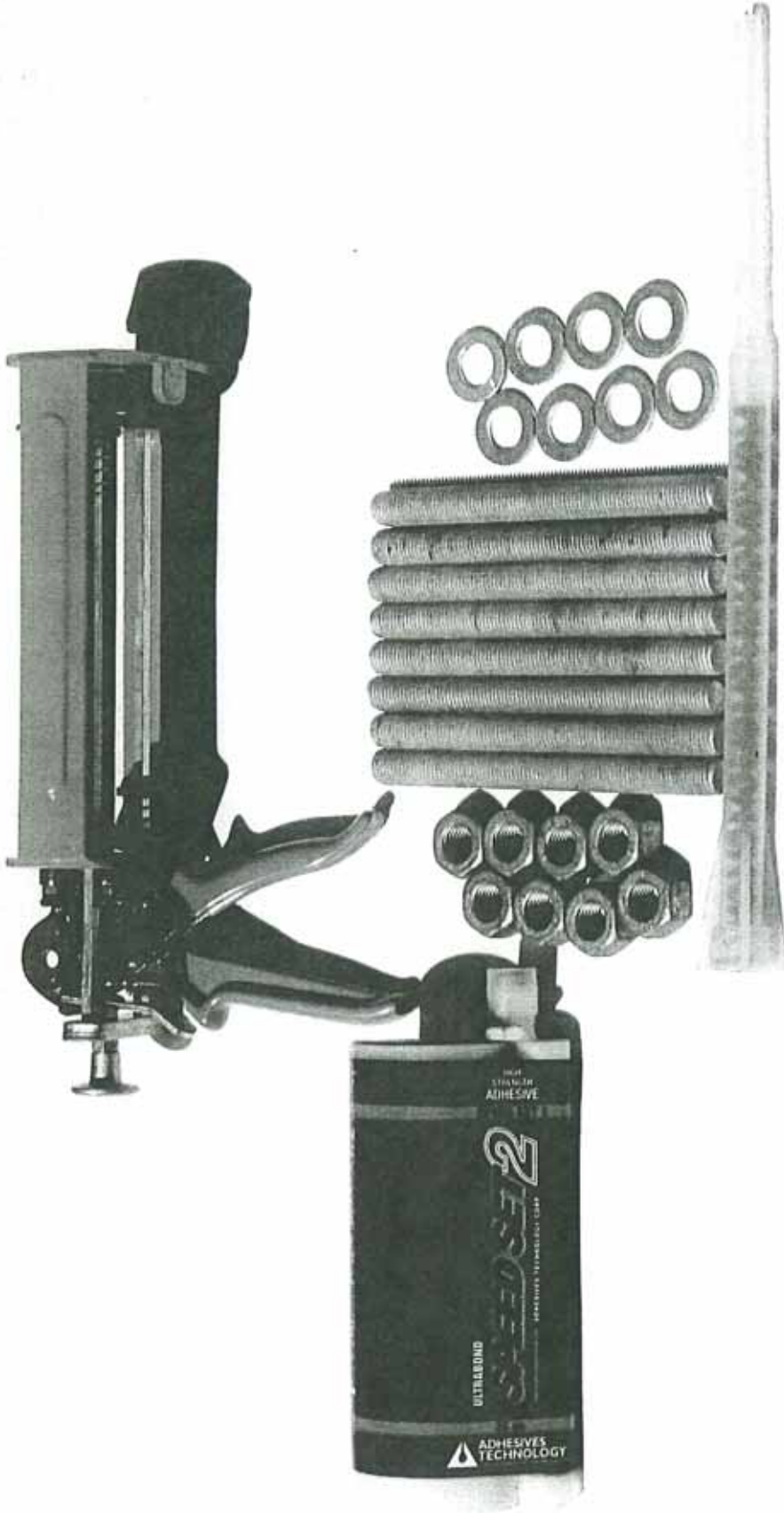


**K001007**  
**Anchor Kit**  
**Compact**  
Asphalt









**CBGB**

Anchor Package  
BG800  
Concrete





**K070222**

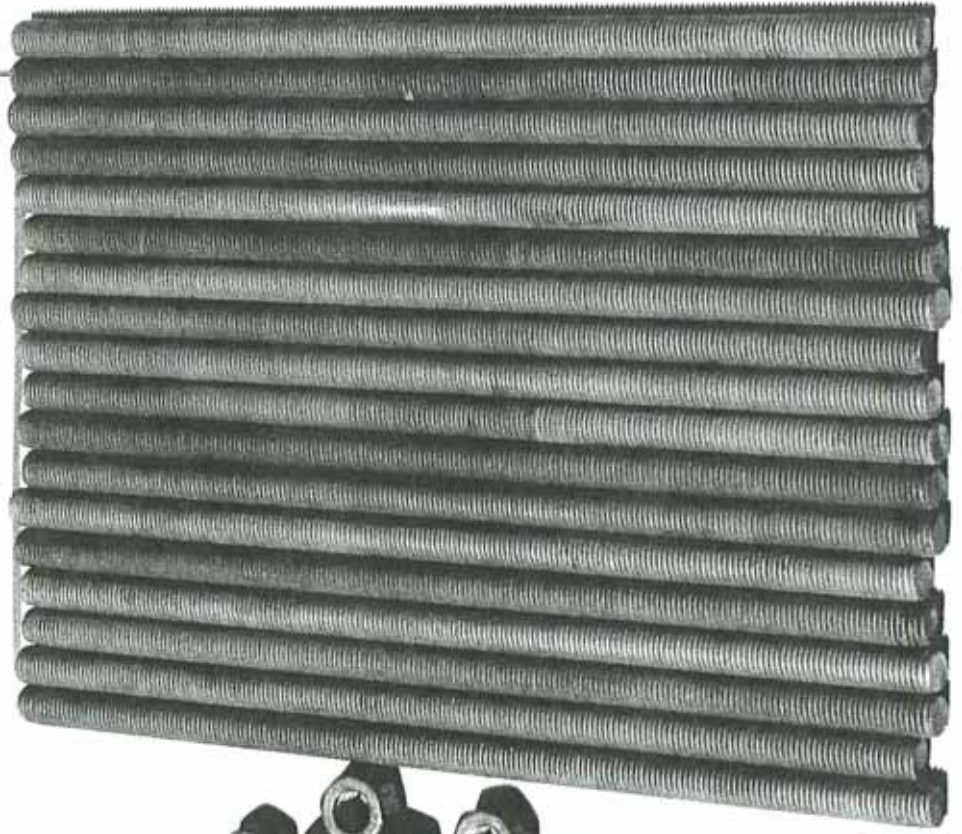
**Anchor Kit**

**BG800**

Concrete

K070223

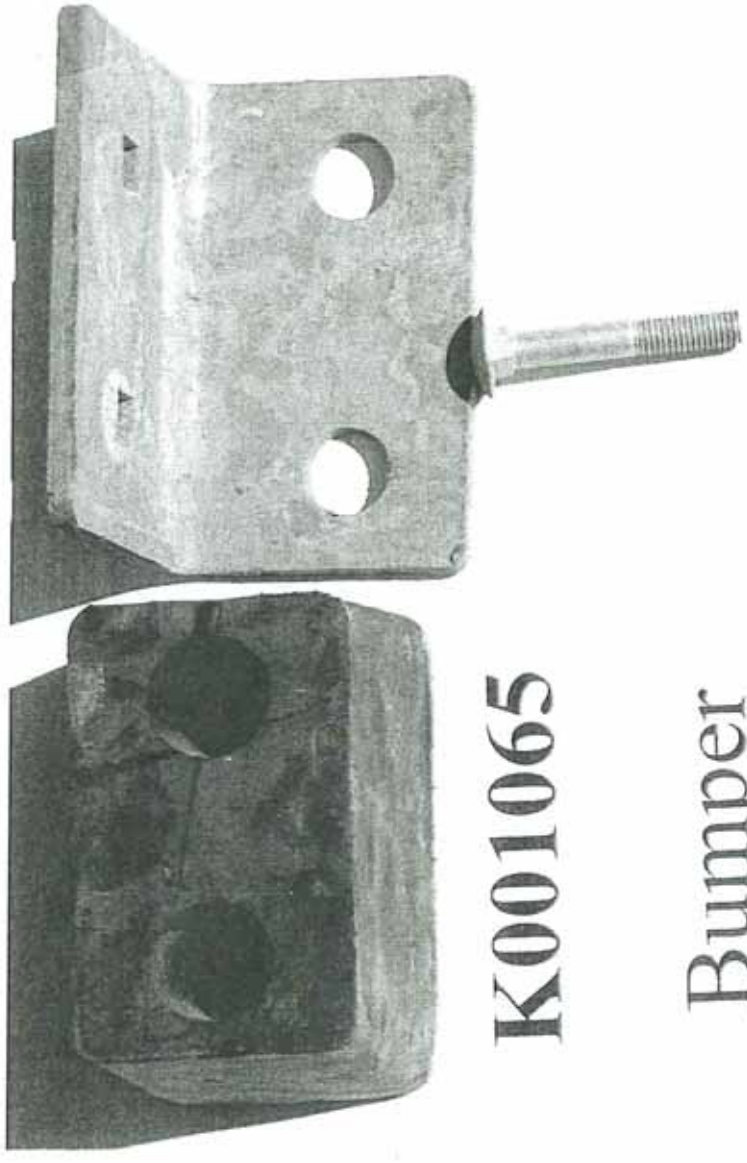
Anchor Kit  
BG800  
Asphalt







15



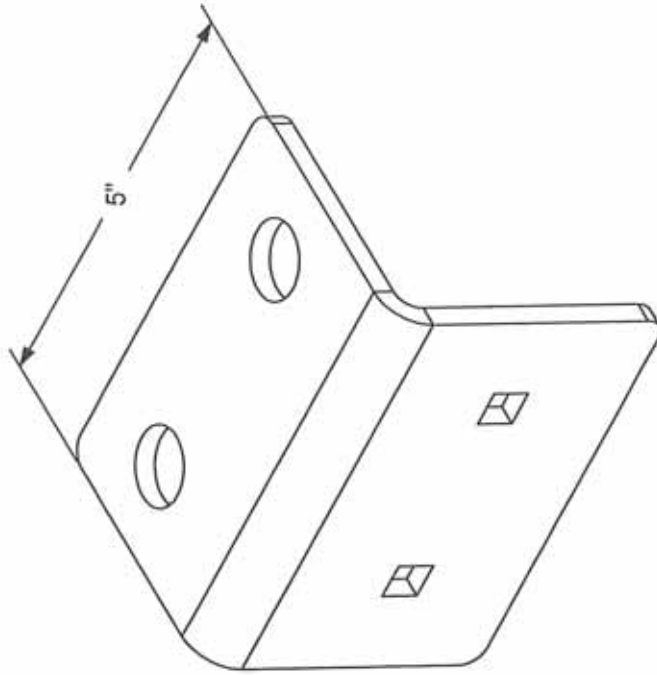
**K001065**

**Bumper  
Wide Assembly**



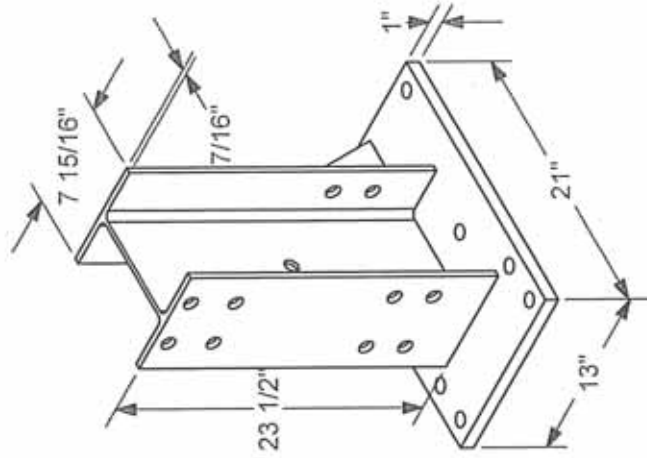
**Universal TAU II**

6.0#



2.2#

<b>BARRIER SYSTEMS INC</b> 180 RIVER RD, RIO VISTA, CA 94571 TEL: 707-374-6800 FAX: 707-374-6801		Standard Tolerance Angular ± 1/2° Fractional ± 1/16" Dec XXX± ± .010 Dec XX± ± .030		SCALE: 1:1 DATE 03/07/07 DRAWN BY INIT. DN APPRD BY		SHEET 1 OF 1 DRAWING NUMBER B031110-NY REV.	
		TITLE: WIDE TAU BUMPER PLATE		REV.			
REV.	CHANGES	DATE	BY	REQD	NEXT ASSY.	ITEM	



SCALE: 1:1  
 DRAWN BY: 03/08/07  
 DATE: 03/08/07  
 INIT.: DN  
 APPR'D BY:

Standard Tolerance  
 Angular ± 1/2°  
 Fractional ± 1/16"  
 Dec .XXX ± .010  
 Dec .XX ± .030

TITLE: WIDE TAU WIDE FLANGE BACKSTOP

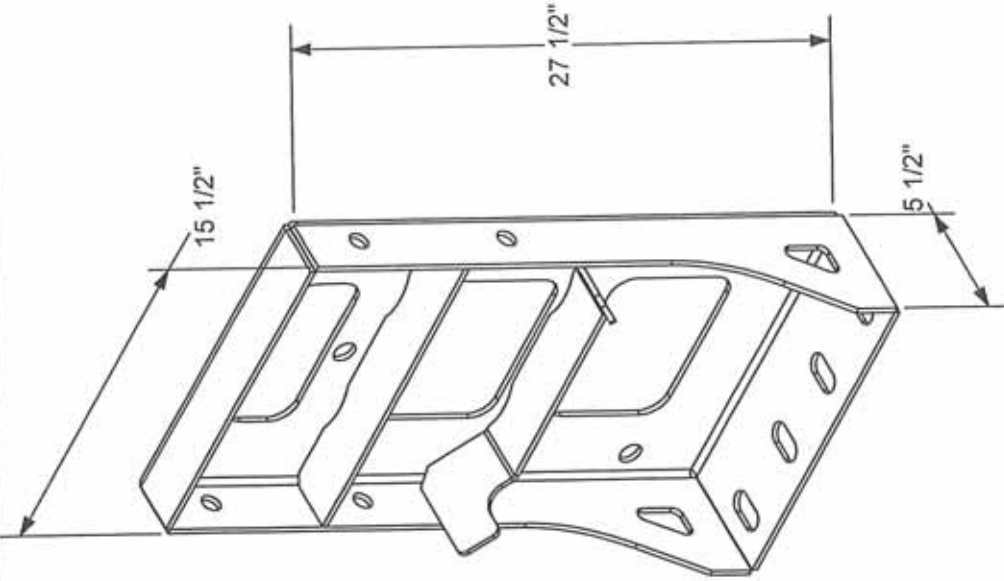
**BARRIER SYSTEMS INC**

180 RIVER RD, RIO VISTA, CA 94571  
 TEL: 707-374-6600 FAX: 707-374-6601

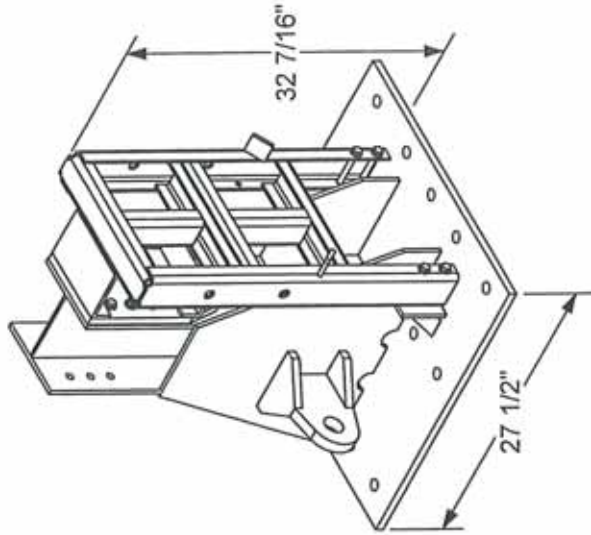
SHEET 1 OF 1  
 DRAWING NUMBER B030668-NY  
 REV.

REV.	CHANGES	DATE	BY	REQD	NEXT ASSY.	ITEM





<b>BARRIER SYSTEMS INC</b> 180 RIVER RD, RIO VISTA, CA 94571 TEL: 707-374-6800 FAX: 707-374-6801		SHEET 1 OF 1 DRAWING NUMBER B040425-NY REV.	
SCALE: 1:1 DRAWN BY 03/09/07 APPRD BY DN	DATE 03/09/07 INIT. DN	Standard Tolerance Angular ± 1/2° Fractional ± 1/16" Dec .XXX± .010 Dec .XX± .030	TITLE: TAU PCB BACKSTOP WELDMENT
REV.	CHANGES	DATE	BY REQD NEXT ASSY. ITEM

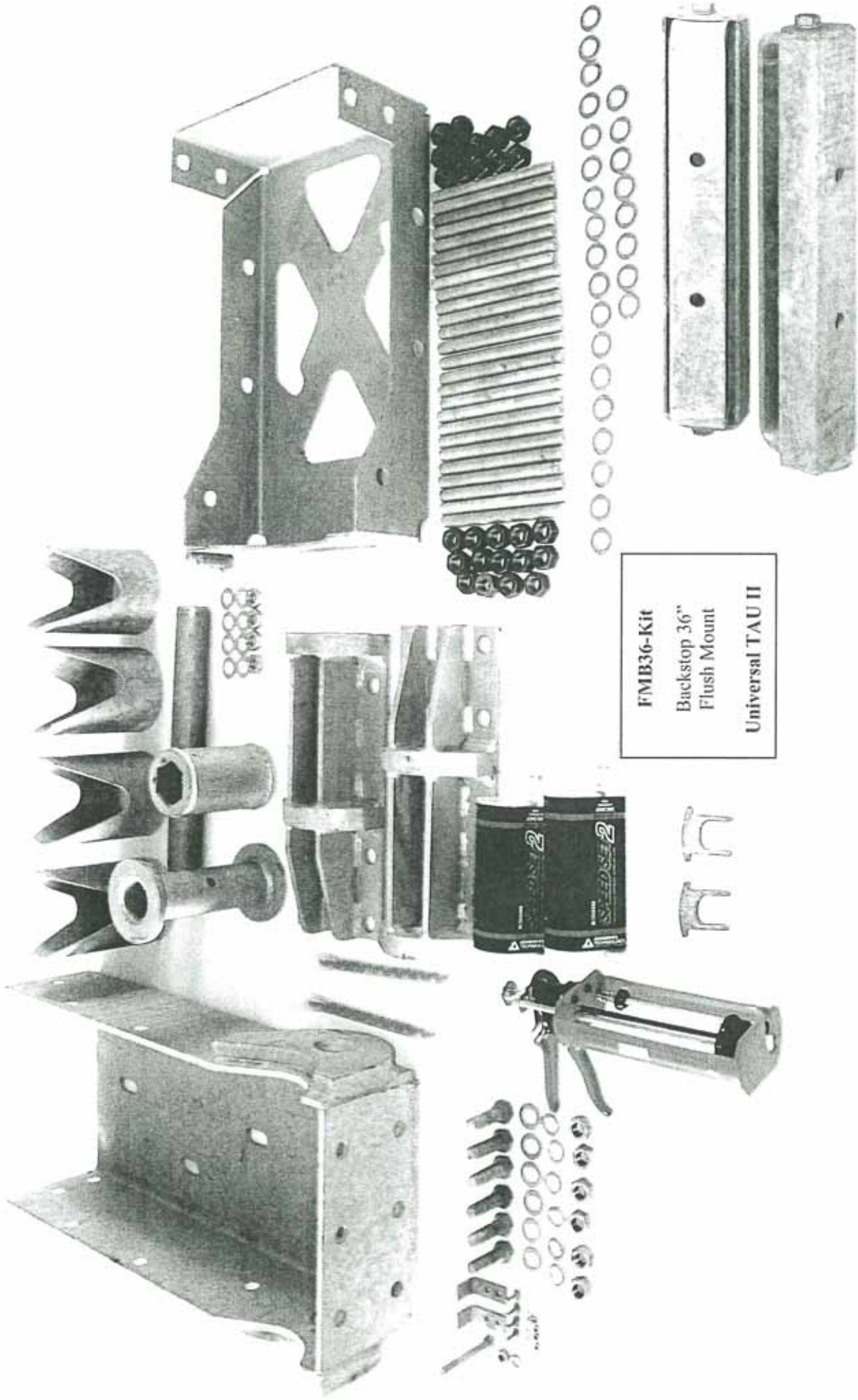


458#

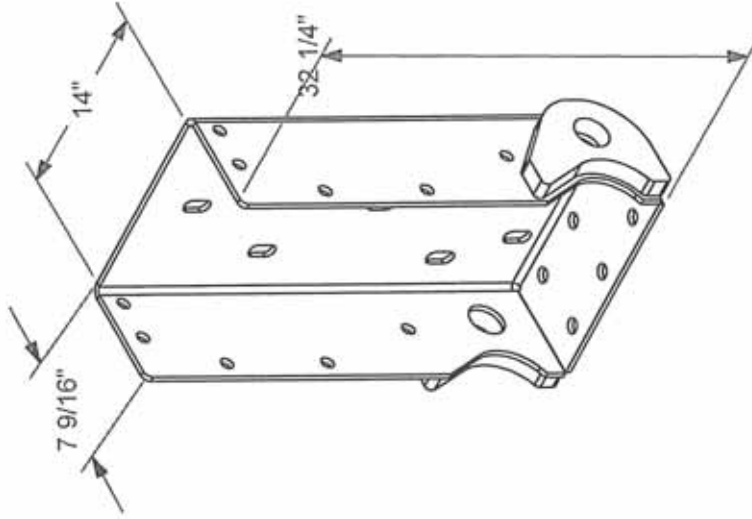
SCALE: 1:1 DRAWN BY: 03/09/07 APP'D BY: DN		DATE: 03/09/07 INIT.: DN		Standard Tolerance Angular: ± 1/2° Fractional: ± 1/16" Dec .XXX: ± .010 Dec .XX: ± .030		<b>BARRIER SYSTEMS INC</b> 180 RIVER RD, RIO VISTA, CA 94571 TEL: 707-374-8800 FAX: 707-374-8801	
TITLE: TAU II COMPACT BACKSTOP				SHEET: 1 OF 1		DRAWING NUMBER: B040430-NY	
REV.	CHANGES	DATE	BY	REQD	NEXT ASSY.	ITEM	REV.







FMB36-Kit  
Backstop 36"  
Flush Mount  
Universal TAU II

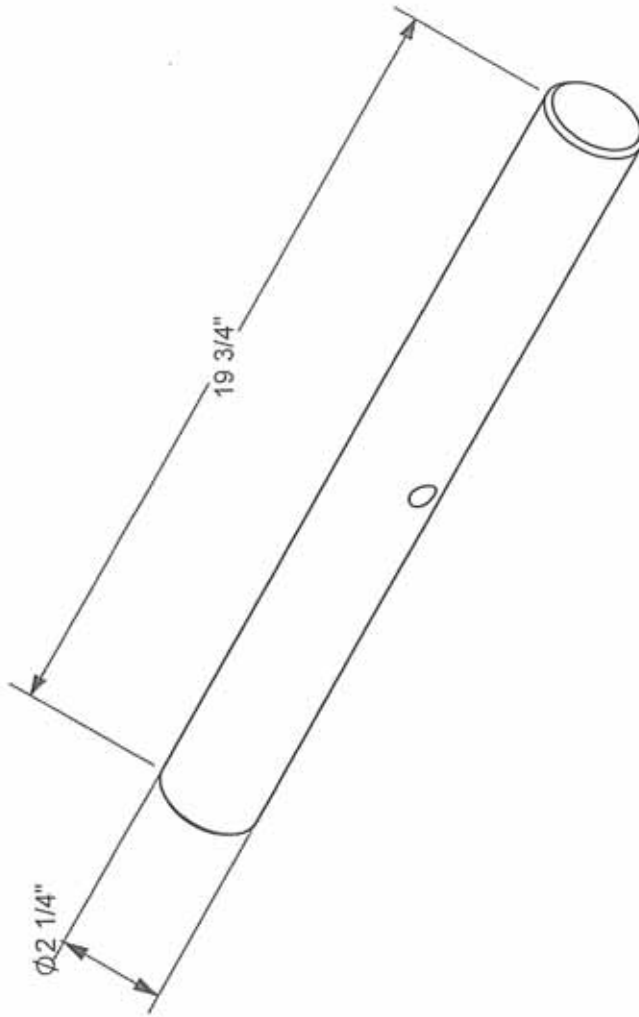


142#

<b>BARRIER SYSTEMS INC</b> 180 RIVER RD. RIO VISTA, CA 94571 TEL: 707-374-8800 FAX: 707-374-8801		SHEET 1 OF 1	DRAWING NUMBER B040214-NY	REV. REV.
SCALE: 1:1	DATE: 03/09/07 INIT.: DN	Standard Tolerance Angular ± 1/2° Fractional ± 1/16" Dec .XXX± .010 Dec .XX± .030	TITLE: UNIVERSAL TAU II FLUSH MOUNT BACKSTOP	
DRAWN BY APPRD BY	DATE 03/09/07	INIT. DN	DATE BY REQD	NEXT ASSY. ITEM
REV.	CHANGES	DATE BY REQD	NEXT ASSY. ITEM	REV.







SCALE: 1:1

DATE	INIT.
03/09/07	DN
DRAWN BY	
APPR'D BY	

TITLE:  
UNIVERSAL TAU II CABLE PIN FLUSH MOUNT

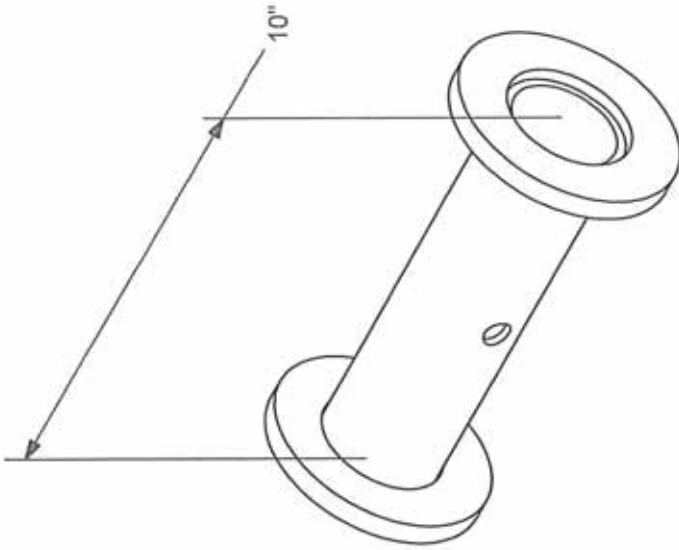
Standard Tolerance

Angular	±	1/2°
Fractional	±	1/16"
Dec XXX=	±	.010
Dec XX=	±	.030

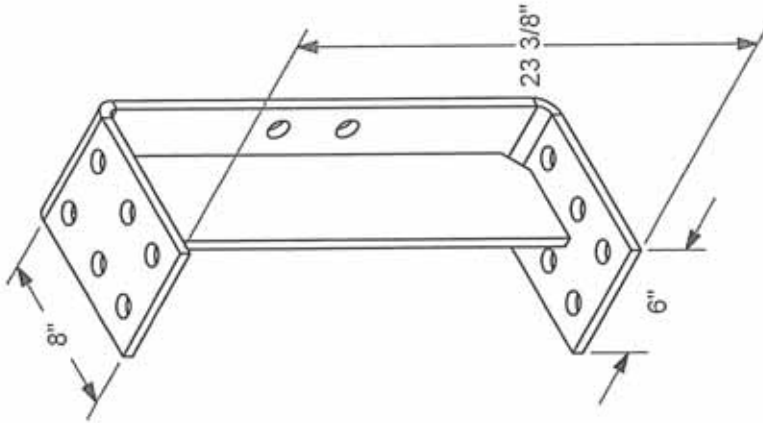
**BARRIER SYSTEMS INC**  
 180 RIVER RD, RIO VISTA, CA 94571  
 TEL: 707-374-6800 FAX: 707-374-6801

SHEET	DRAWING NUMBER	REV.
1 OF 1	B040408-NY	

REV.	CHANGES	DATE	BY	REQ'D	NEXT ASSY.	ITEM



SCALE: 1:1		DATE: 03/09/07		INIT. DN		Standard Tolerance		1/2°		BARRIER SYSTEMS INC	
DRAWN BY		APPRD BY		TITLE:		Angular		Fractional		180 RIVER RD, RIO VISTA, CA 94571	
				UNIVERSAL TAU II CABLE SPACER FLUSH		± 1/16°		± .010		TEL: 707-374-6800 FAX: 707-374-6801	
						Dec XXX±		± .030		SHEET	
						Dec XX±				DRAWING NUMBER	
										REV.	
										1 OF 1	
										B040409-NY	
REV.		CHANGES		DATE		BY		REQD		NEXT ASSY.	
										ITEM	



SCALE: 1:1

DATE	INIT.
03/08/07	DN

DRAWN BY: [ ]  
 APPRD BY: [ ]

Standard Tolerance

Angular	±	1/2°
Fractional	±	1/16"
Dec .XXX=	±	.010
Dec .XX=	±	.030

TITLE: WIDE TAU BACKSTOP BLACKOUT

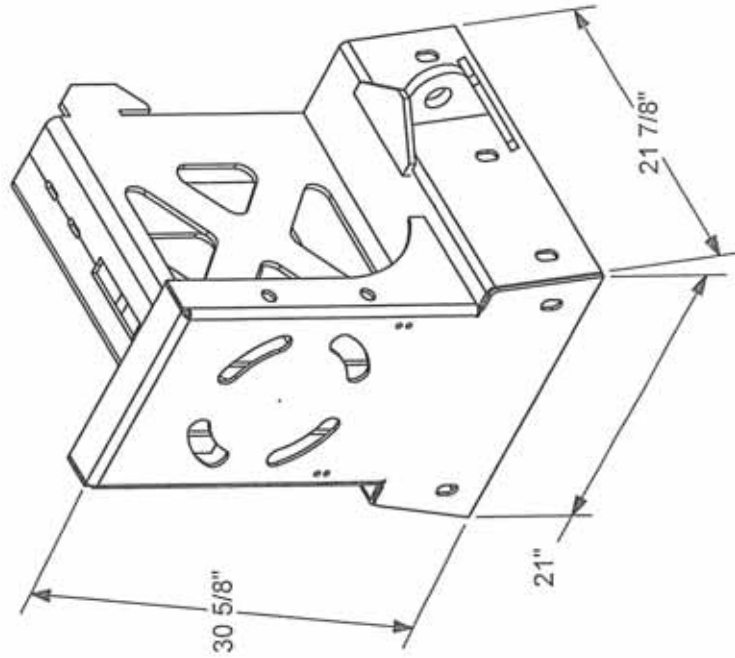
**BARRIER SYSTEMS INC**

180 RIVER RD, RIO VISTA, CA 94571  
 TEL: 707-374-6800 FAX: 707-374-6801

SHEET	DRAWING NUMBER	REV.
1 OF 1	B030713-NY	

REV.	CHANGES	DATE	BY	REQD	NEXT ASSY.	ITEM





SCALE: 1:1

DATE	INIT.	Standard Tolerance
03/09/07	DN	± 1/2"
		± 1/16"
		± .010
		± .030

TITLE: UNIVERSAL TAU II, BARRIER GUARD

**BARRIER SYSTEMS INC**

180 RIVER RD, RIO VISTA, CA 94571  
 TEL: 707-374-6800 FAX: 707-374-6801

SHEET	DRAWING NUMBER	REV.
1 OF 1	B040847-NY	

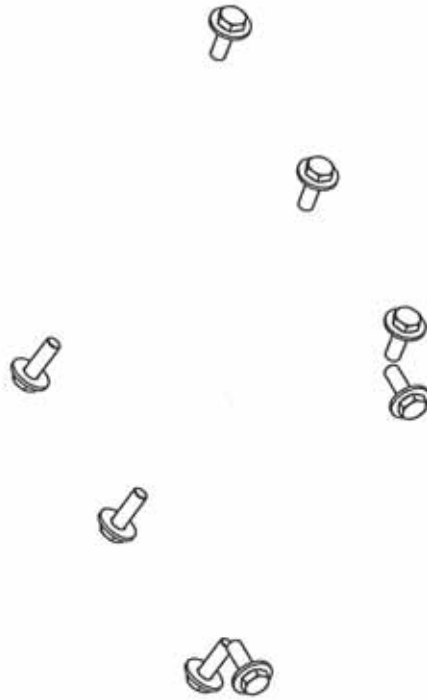
REV.	CHANGES	DATE	BY	REQD	NEXT ASSY.	ITEM

Bill Number: K001052

Rev: A

28

Item	Qty	Part Description	Part#	U/M
	8	BOLT HH 16 MM 2.0X50MM CLASS 8.	2001144	EACH
	8	WSHR 16MM CLASS 8.8 FLAT RD ME	2001453	EACH



2#

SCALE: 1:1

DATE	INIT.
03/09/07	DN
DRAWN BY	
APPRD BY	

TITLE: BG 800 TERMINAL HARDWARE KIT

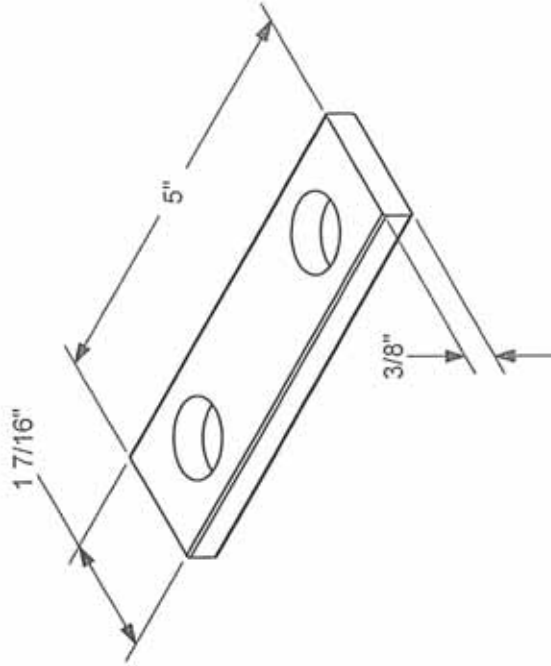
Standard Tolerance  
 Angular ± 1/2°  
 Fractional ± 1/16"  
 Dec .XXX± ± .010  
 Dec .XX± ± .030

**BARRIER SYSTEMS INC**

180 RIVER RD, RIO VISTA, CA 94571  
TEL: 707-374-6800 FAX: 707-374-6801

SHEET	DRAWING NUMBER	REV.
1 OF 1	K001052-NY	

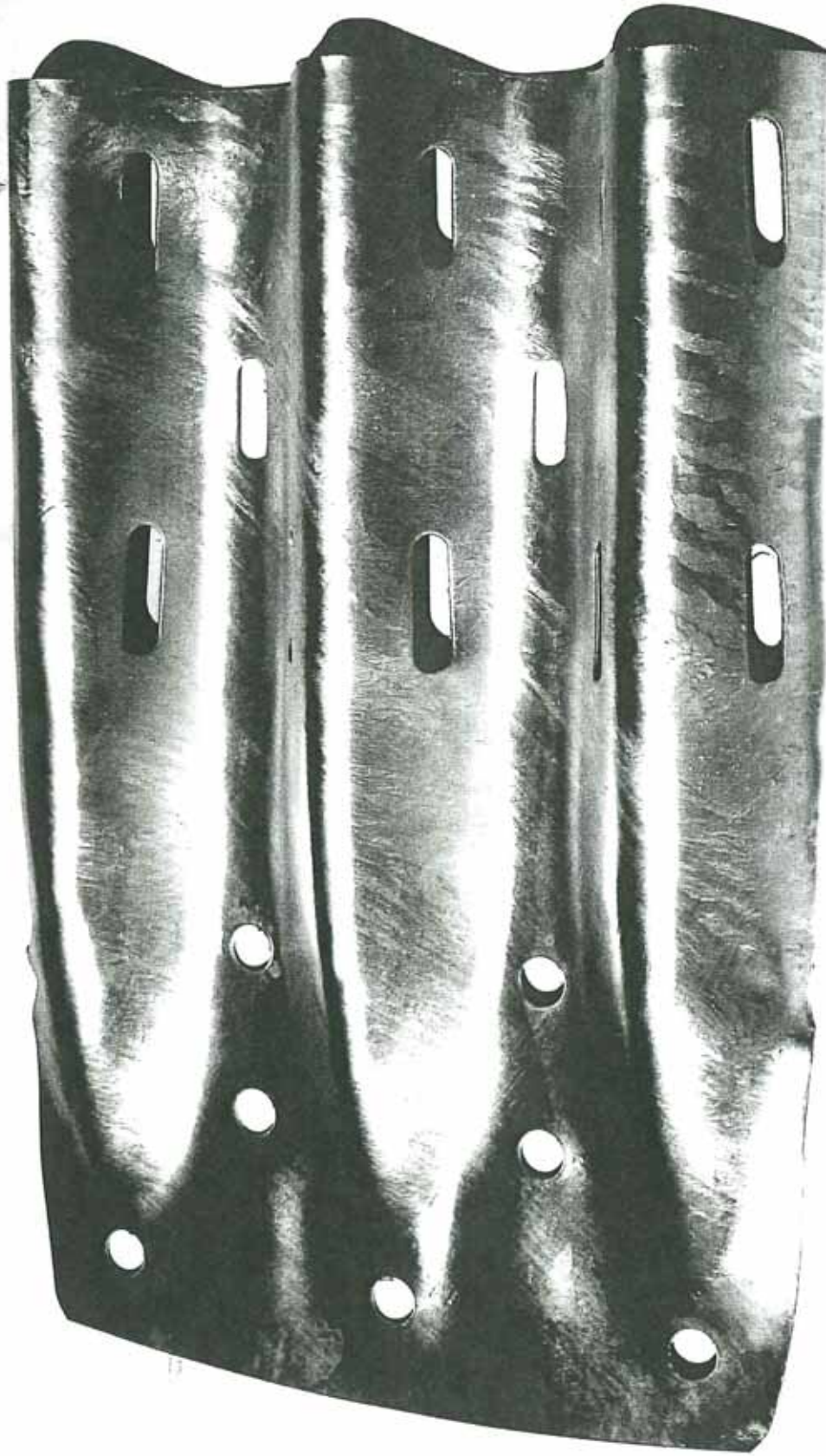
REV.	CHANGES	DATE	BY	REQD	NEXT ASSY.	ITEM



0.7#

<b>BARRIER SYSTEMS INC</b> 180 RIVER RD, RIO VISTA, CA 94571 TEL: 707-374-6600 FAX: 707-374-6601		Standard Tolerance Angular ± 1/2° Fractional ± 1/16" Dec .XXX± .010 Dec .XX± .030		SCALE: 1:1 DATE 03/07/07 DRAWN BY DN APPRD BY		TITLE: WIDE TAU BACK UP PLATE		SHEET 1 OF 1	DRAWING NUMBER B030543-NY	REV. 2
REV.	CHANGES	DATE	BY	REQD	NEXT ASSY.	ITEM				

30



4002049

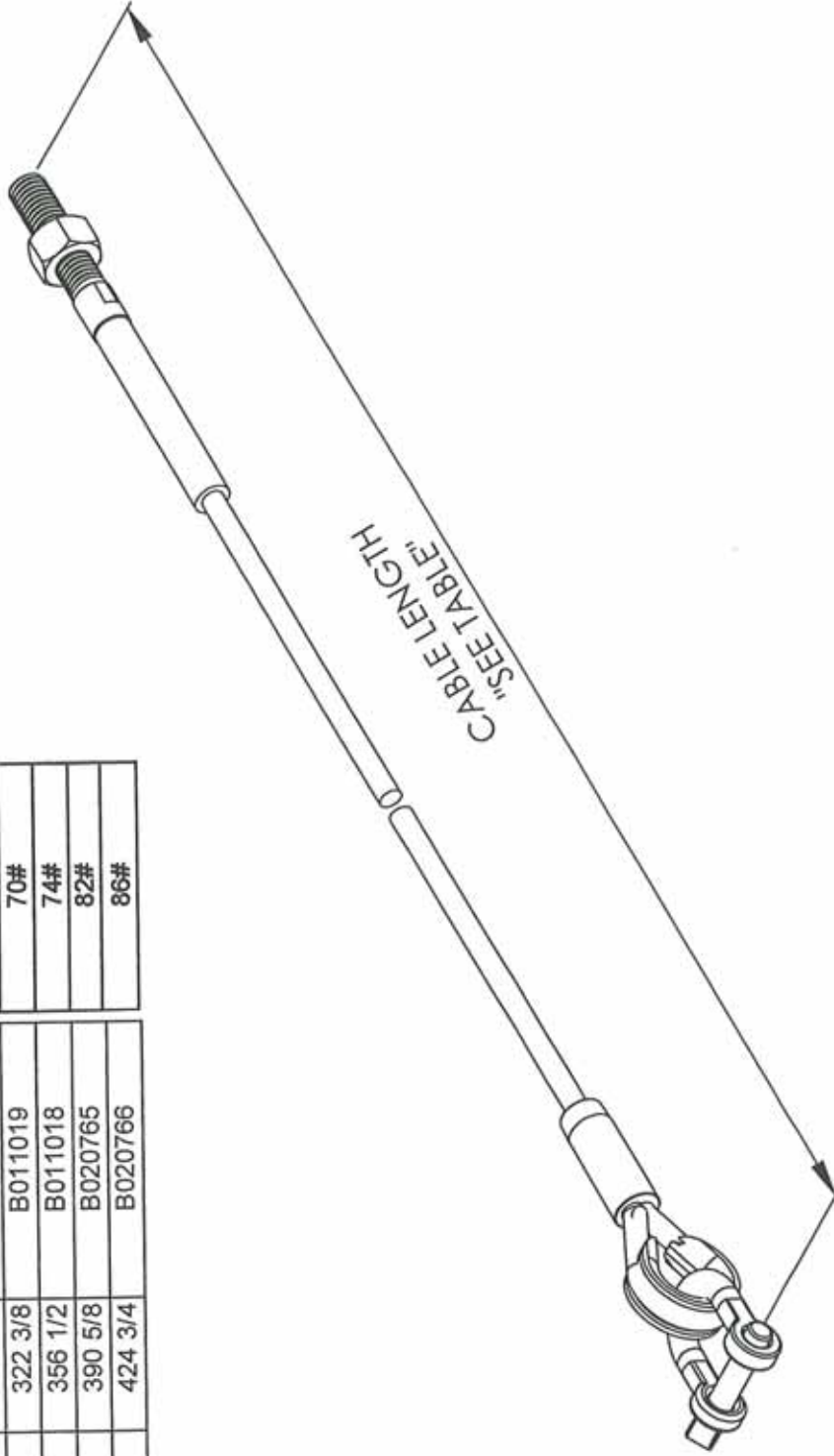
Bridge / End Shoe

44#



# 31-41

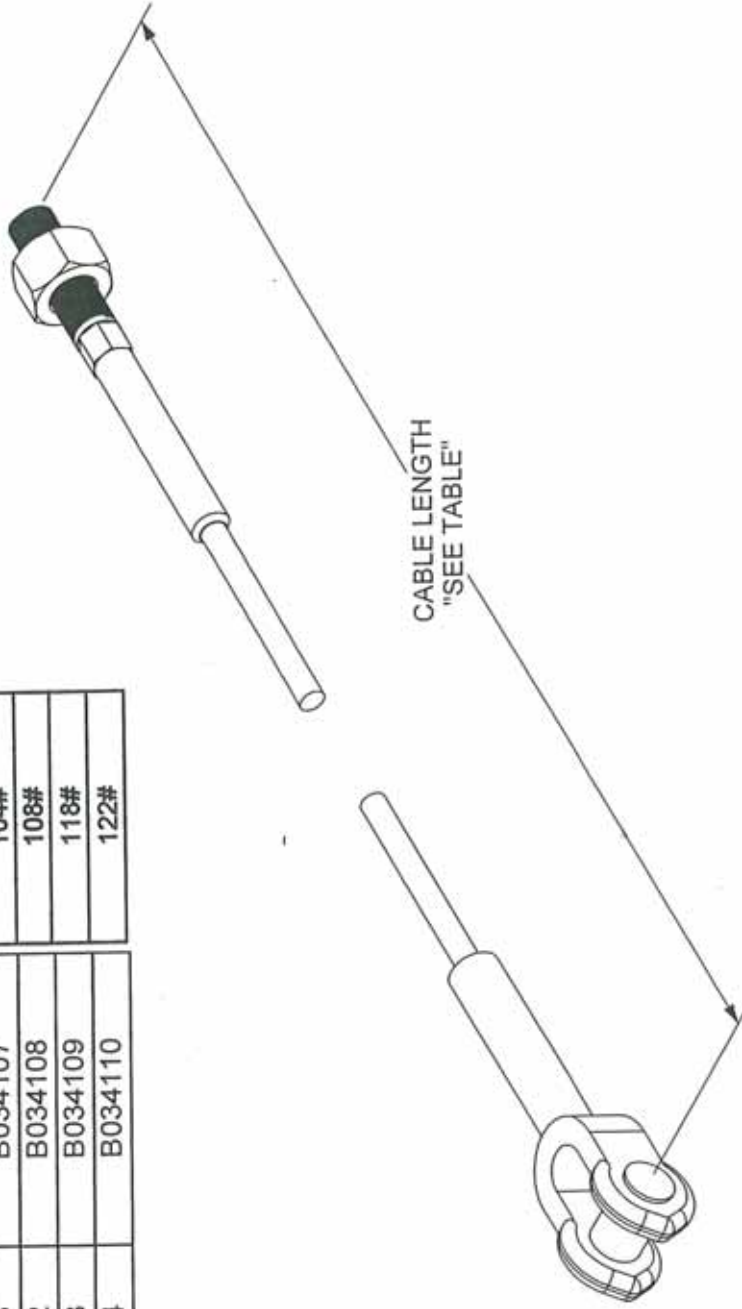
TAU-II SYSTEM	LENGTH	PART NUMBER	Weight
2 BAY	83 1/2	B011024	32#
3 BAY	117 5/8	B011023	36#
4 BAY	151 3/4	B010917	42#
5 BAY	185 7/8	B011022	48#
6 BAY	220	B011021	50#
7 BAY	254 1/8	B011020	56#
8 BAY	288 1/4	B010916	66#
9 BAY	322 3/8	B011019	70#
10 BAY	356 1/2	B011018	74#
11 BAY	390 5/8	B020765	82#
12 BAY	424 3/4	B020766	86#



<b>BARRIER SYSTEMS INC</b>		Standard Tolerance		SCALE: 1:8		1/2"		SHEET		DRAWING NUMBER		REV.	
180 RIVER RD, RIO VISTA, CA 94571		Angular ±		DATE		1/16"		1 OF 1		B070416-NY			
TEL: 707-374-6600 FAX: 707-374-6801		Fractional ±		INIT.		.010							
		Dec .XXX±		DRAWN BY		.030							
		Dec .XX±		4/10/07									
				DN									
				APPRD BY									
				TITLE:									
				TAU-II COMPACT CABLE									
				REVD									
				CHANGES									
				DATE									
				BY									
				REQD									
				NEXT ASSY.									
				ITEM									

# 42-52

TAU-II SYSTEM	LENGTH	PART NUMBER	Weight
2 BAY	83 1/2	B034100	56#
3 BAY	117 50/	B034101	62#
4 BAY	151 3/4	B034102	68#
5 BAY	185 7/8	B034103	74#
6 BAY	220	B034104	80#
7 BAY	254 1/8	B034105	88#
8 BAY	288 1/4	B034106	94#
9 BAY	322 3/8	B034107	104#
10 BAY	356 1/2	B034108	108#
11 BAY	390 5/8	B034109	118#
12 BAY	424 3/4	B034110	122#



CABLE LENGTH  
"SEE TABLE"

SCALE: 1:1

DATE	INIT.
10/07/07	DN
DRAWN BY	APPRD BY

TITLE:  
TAU-II UNIVERSAL WIDE CABLE

Standard Tolerance

Angular	± 1/2°
Fractional	± 1/16"
Dec. XXX±	± .010
Dec. XX±	± .030

**BARRIER SYSTEMS INC**  
 180 RIVER RD, RIO VISTA, CA 94571  
 TEL: 707-374-6800 FAX: 707-374-6801

SHEET 1 OF 1  
 DRAWING NUMBER B070417-NY  
 REV.

REV	CHANGES	DATE	BY	REQ'D	NEXT ASSY.	ITEM

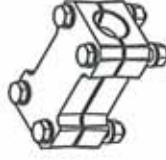
Bill Number: K001004

Rev: A

53

20#

Item	Qty	Part Description	Part#	U/M
	4	Tau ii cable guide system	B010610	EACH
	8	C-SCR HH M12-1.75X100 CI 8.8M	2001457	EACH
	8	Nut HN M12-1.75 CI 8.8 MGAL	2001114	EACH
	8	W'shr SL M12 CI 8.8 MGal	2001458	EACH



SCALE: 1:1

DATE	INIT
02/28/07	DN
DRAWN BY	
APPR'D BY	

TITLE:  
TAU II CABLE GUIDE KIT PER BSI

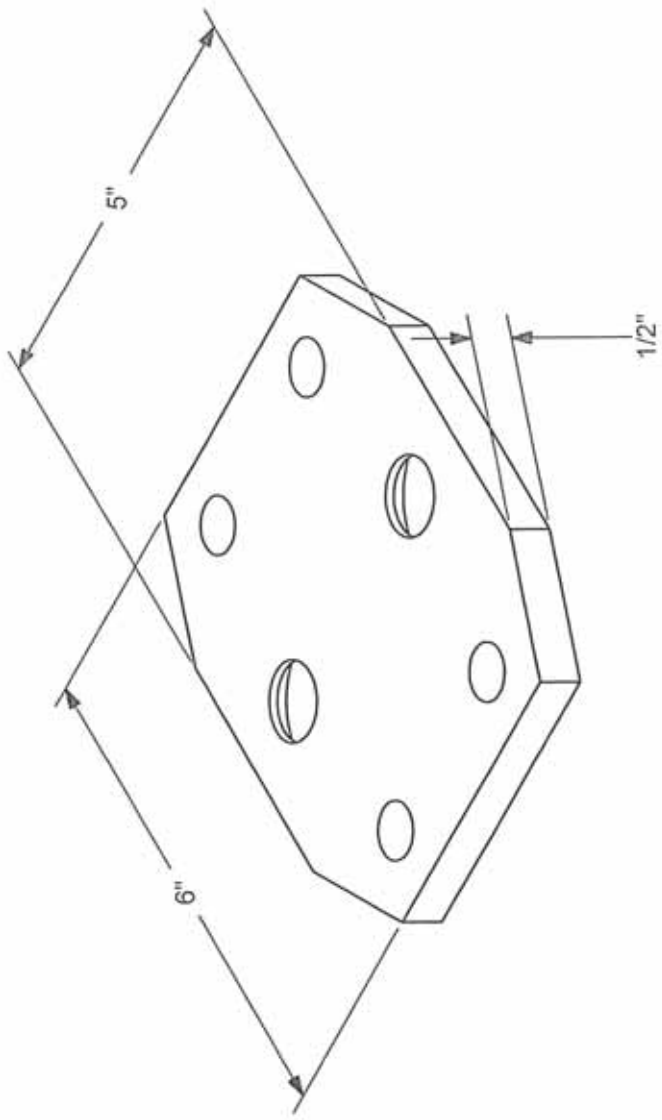
Standard Tolerance  
 Angular ± 1/2°  
 Fractional ± 1/16"  
 Dec .XXX's ± .010  
 Dec .XX's ± .030

**BARRIER SYSTEMS INC**

180 RIVER RD, RIO VISTA, CA 94571  
TEL: 707-374-5600 FAX: 707-374-5601

SHEET	DRAWING NUMBER	REV.
1 OF 1	K001004-NY	

REV.	CHANGES	DATE	BY	REQ'D	NEXT ASSY.	ITEM



SCALE: 1:1  
 DRAWN BY: DN  
 DATE: 03/07/07  
 INIT.:  
 APPRD BY:  
 TITLE: WIDE TAU CABLE GUIDE MOUNTING PLATE

Standard Tolerance  
 Angular: ± 1/2°  
 Fractional: ± 1/16"  
 Dec. XXX: ± .010  
 Dec. XX: ± .030

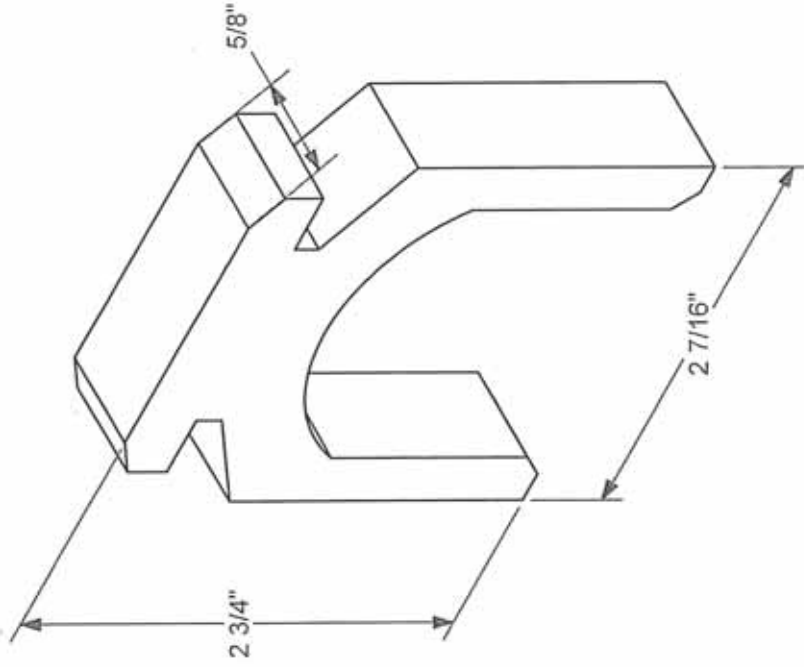
**BARRIER SYSTEMS INC**

180 RIVER RD. RIO VISTA, CA 94571  
 TEL: 707-374-6600 FAX: 707-374-6601

SHEET: 1 OF 1  
 DRAWING NUMBER: B030411REV2-NY  
 REV.: 2

REV.	CHANGES	DATE	BY	REQ'D	NEXT ASSY.	ITEM





SCALE: 1:1  
 DRAWN BY: 03/08/07  
 APPRD BY: DN  
 INIT.  
 DATE

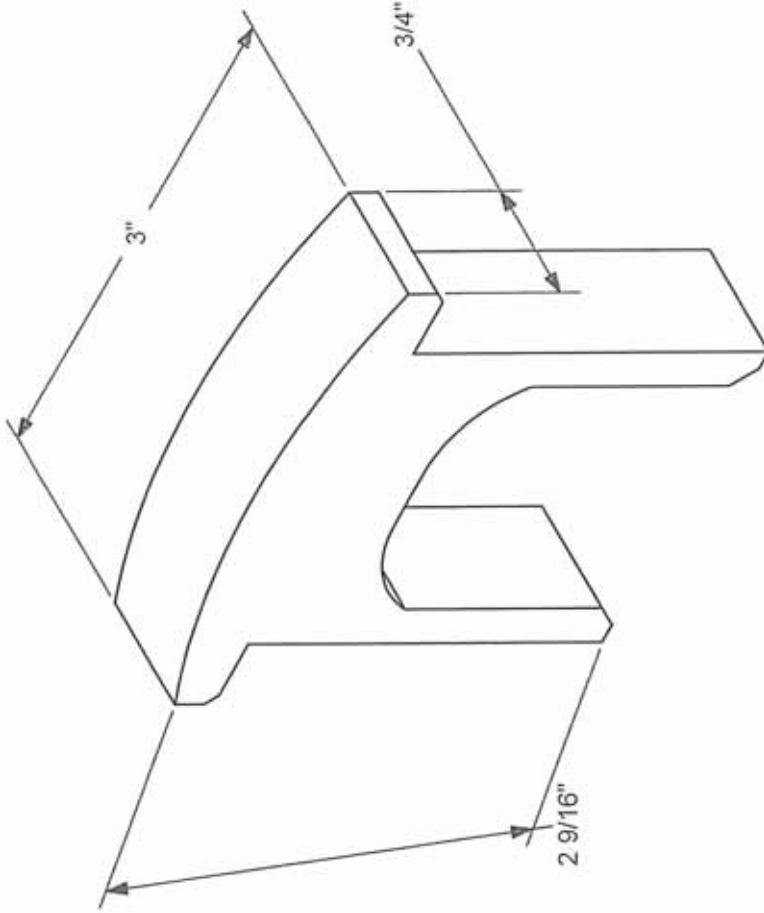
Standard Tolerance  
 Angular ± 1/2°  
 Fractional ± 1/16"  
 Dec .XXX± ± .010  
 Dec .XX± ± .030

TITLE: WIDE TAU KEY REAR ANCHOR CABLE

BARRIER SYSTEMS INC  
 180 RIVER RD, RIO VISTA, CA 94571  
 TEL: 707-374-6800 FAX: 707-374-6801

SHEET 1 OF 1  
 DRAWING NUMBER B030942-NY  
 REV.

REV.	CHANGES	DATE	BY	REQD	NEXT ASSY.	ITEM

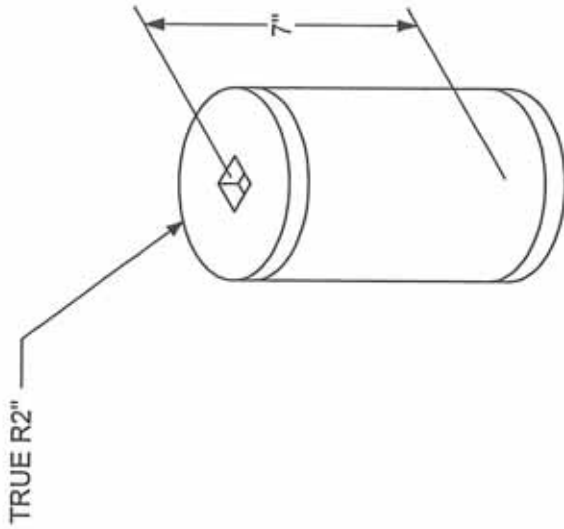


0.7#

<b>BARRIER SYSTEMS INC</b> 180 RIVER RD. RIO VISTA, CA 94571 TEL: 707-374-6600 FAX: 707-374-6801		Standard Tolerance Angular ± 1/2° Fractional ± 1/16" Dec XXX± .010 Dec .XX± .030		SCALE: 1:1 DATE 03/09/07 DRAWN BY INIT. DN APPR'D BY		TITLE: CABLE KEY REVERSE FRONT CABLE		SHEET 1 OF 1 DRAWING NUMBER B040501-NY REV.	
		REV.		CHANGES		DATE BY REQD NEXT ASSY. ITEM		REV.	



SCALE: 1:1		DATE: 03/09/07		INIT: DN		Standard Tolerance		1/2"	
DRAWN BY		APPD BY		Angular		Fractional		± 1/16"	
				Dec .XXXs		Dec .XXs		± .010	
				Dec .XXs				± .030	
TITLE: UNIVERSAL TAU II SOCKET 2 1/2"									
REV.	CHANGES	DATE	BY	REQ'D	NEXT ASSY.	ITEM			
							SHEET		1 OF 1
							DRAWING NUMBER		B040401-NY
							REV.		
							BARRIER SYSTEMS INC		
							180 RIVER RD, RIO VISTA, CA 94571		
							TEL: 707-374-6800 FAX: 707-374-6801		



<b>SCALE: 1:1</b> DRAWN BY: 03/08/07 APPRD BY: DN		Standard Tolerance Angular: ± 1/2° Fractional: ± 1/16" Dec .XXX: ± .010 Dec .XX: ± .030		<b>BARRIER SYSTEMS INC</b> 180 RIVER RD, RIO VISTA, CA 94571 TEL: 707-374-6600 FAX: 707-374-6601	
TITLE: SOCKET 3 1/8 UNIVERSAL TAU II		SHEET: 1 OF 1		DRAWING NUMBER: B040234-NY	
REV.	CHANGES	DATE	BY	REQD	NEXT ASSY.
					ITEM





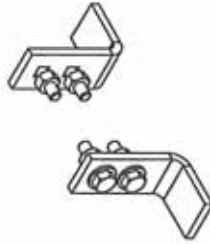
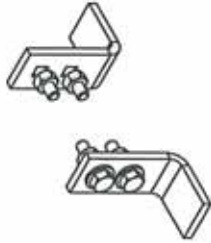


Bill Number: K001028

Rev: A

61

Item	Qty	Part Description	Part#	U/M
	4	Wide Tau E.A.C. Locator rev "B"	B030538	EACH
	8	Wshr SL M6 MGal	2001542	EACH
	8	Nut HN M6-1 MGal Cl 5.8	2001543	EACH
	8	Bolt CH M6-1.0x25mm Sq Neck MG	2001541	EACH



1#

<p><b>BARRIER SYSTEMS INC</b>          180 RIVER RD, RIO VISTA, CA 94571          TEL: 707-374-6800 FAX: 707-374-6801</p>		<p>SHEET 1 OF 1</p>		<p>DRAWING NUMBER K001028-NY</p>		<p>REV.</p>	
<p>SCALE: 1:1</p>		<p>DATE 2/28/07</p>		<p>INIT. DN</p>		<p>Standard Tolerance          Angular ± 1/2°          Fractional ± 1/16"          Dec .XXX± .010          Dec .XX± .030</p>	
<p>DRAWN BY</p>		<p>APPRD BY</p>		<p>TITLE: EAC LOCATOR PACKAGE</p>		<p>REV.</p>	
<p>CHANGES</p>		<p>DATE</p>		<p>BY</p>		<p>REQD</p>	
<p>NEXT ASSY.</p>		<p>ITEM</p>		<p>REV.</p>		<p>REV.</p>	

62



**K001025**

30" Extra Hardware  
Kit

**Universal TAU II**

3#



63



3#

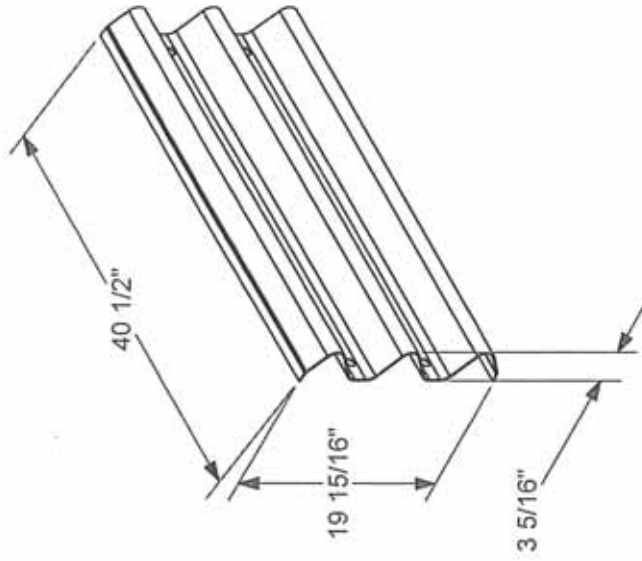
**K001026**

**36" Extra Hardware  
Kit**

**Universal TAU II**

64

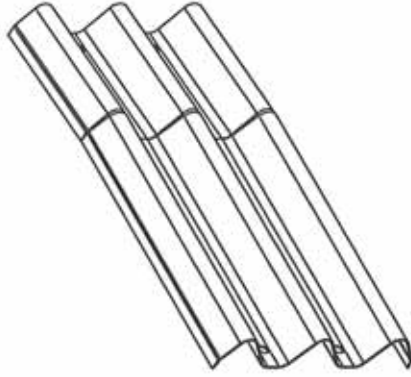
46#



SCALE: 1:1		DATE	INIT.	Standard Tolerance	1/2"
DRAWN BY	03/07/07	DN		Angular	±
APPRD BY				Fractional	± 1/16"
TITLE:				Dec. XXX=	± .010
				Dec. XX=	± .030
Tau II End Panel Rev B					
REV.	CHANGES	DATE	BY	REQD	NEXT ASSY.
					ITEM
SHEET				DRAWING NUMBER	
1 OF 1				B010659-NY	
BARRIER SYSTEMS INC				REV.	
180 RIVER RD, RIO VISTA, CA 94571					
TEL: 707-374-6900 FAX: 707-374-6901					

65

46#



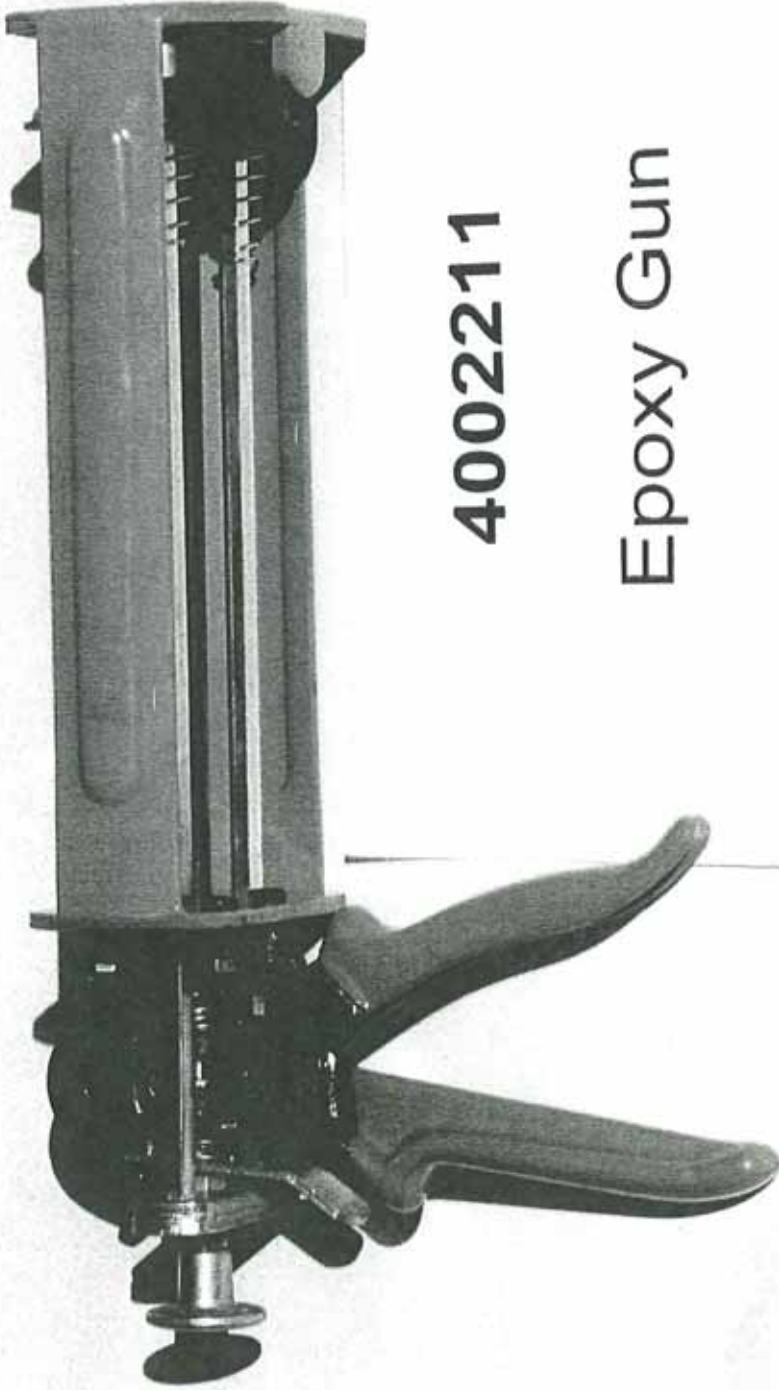
SCALE: 1:1		Standard Tolerance		± 1/2"
DRAWN BY		DATE	INIT.	± 1/16"
APPR'D BY		04/16/07	DN	± .010
				± .030
TITLE: 5 Degree Angled End Panel				
REV.	CHANGES	DATE	BY	REQ'D
				NEXT ASSY.
				ITEM
SHEET			DRAWING NUMBER	
1 OF 1			B040203-NY	
BARRIER SYSTEMS INC			REV.	
180 RIVER RD. RIO VISTA, CA 94571				
TEL: 707-374-5600 FAX: 707-374-5601				



**4002210**

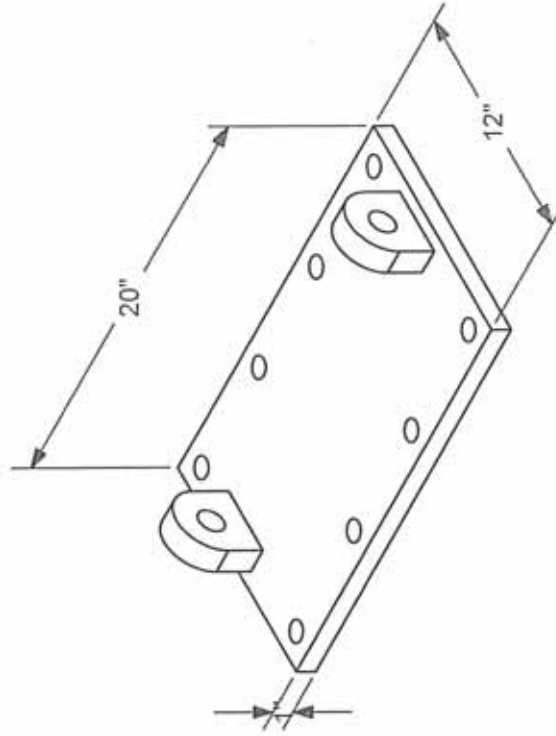
**Epoxy Cartridge**





4002211

Epoxy Gun



SCALE: 1:1  
 DATE: 03/09/07  
 DRAWN BY: INIT. DN  
 APPRD BY: DN

Standard Tolerance  
 Angular ± 1/2°  
 Fractional ± 1/16"  
 Dec XXX ± .010  
 Dec XX ± .030

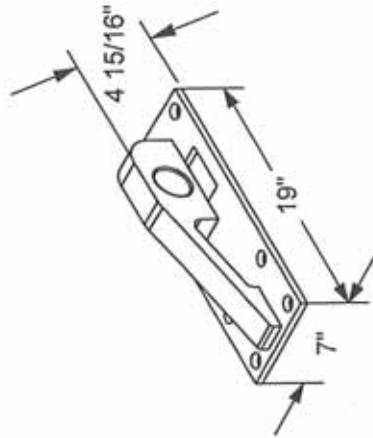
TITLE: TAU II FRONT CABLE ANCHOR

**BARRIER SYSTEMS INC**

180 RIVER RD, RIO VISTA, CA, 94571  
 TEL: 707-374-6600 FAX: 707-374-6601

SHEET 1 OF 1 DRAWING NUMBER B010248-NY REV.

REV. CHANGES DATE BY REQD NEXT ASSY. ITEM

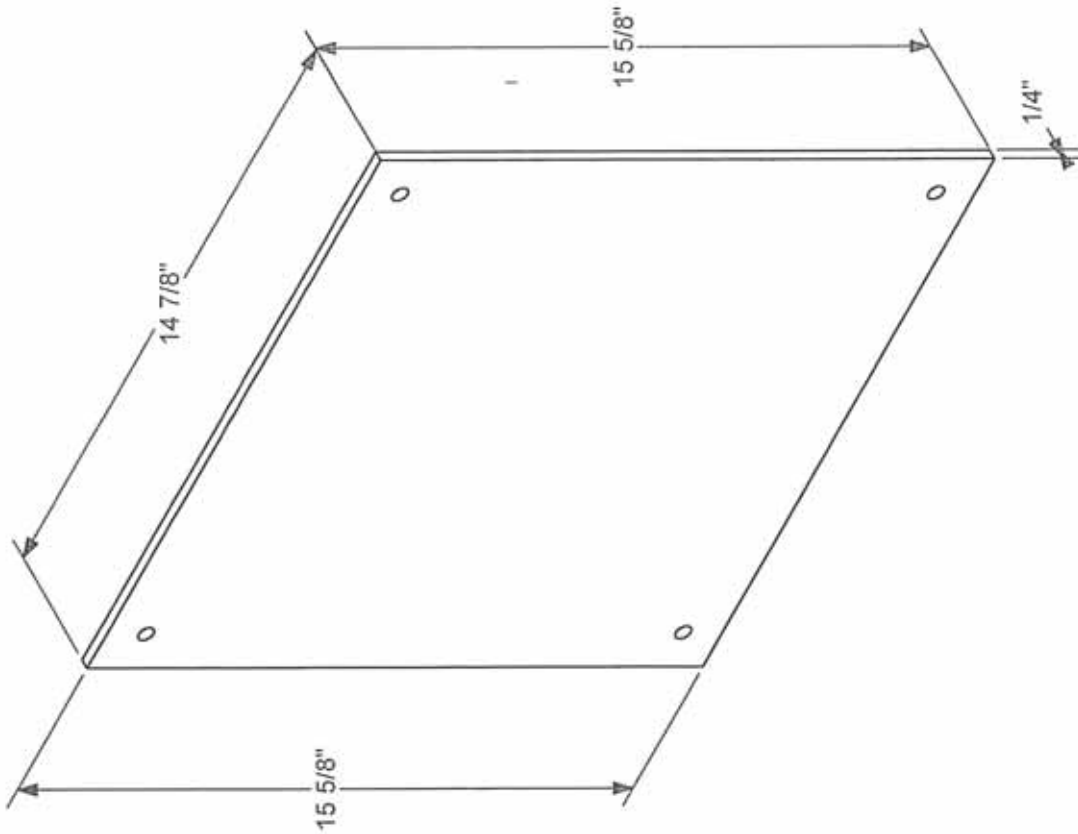


SCALE: 1:1		DATE		INIT.		Standard Tolerance		SHEET		DRAWING NUMBER		REV.	
DRAWN BY		03/08/07		DN		Angular ± 1/2°		1 OF 1		B030935-NY			
APPROV BY						Fractional ± 1/16"		180 RIVER RD, RIO VISTA, CA 94571					
TITLE:						Dec. XXX- ± .010		TEL: 707-374-6800		FAX: 707-374-6801			
WIDE TAU FRONT CABLE ANCHOR W1						Dec. XX- ± .030							
REV.	CHANGES	DATE	BY	REQ'D	NEXT ASSY.	ITEM							









SCALE: 1:1  
 DRAWN BY: 03/07/07  
 APPRD BY: DN  
 DATE: INIT.  
 TITLE: WIDE TAU FRONT COLLISION PLATE

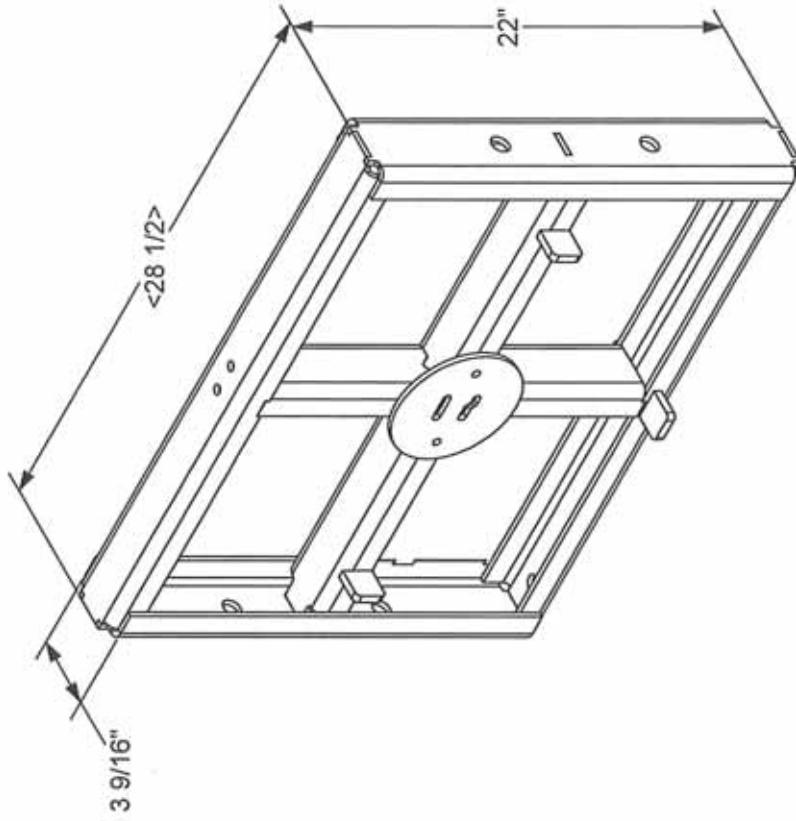
Standard Tolerance  
 Angular ± 1/2°  
 Fractional ± 1/16"  
 Dec XXX± ± .010  
 Dec XX± ± .030

**BARRIER SYSTEMS INC**

180 RIVER RD, RIO VISTA, CA 94571  
 TEL: 707-374-6600 FAX: 707-374-6601

SHEET	DRAWING NUMBER	REV.
1 OF 1	B030801-NY	2

REV.	CHANGES	DATE	BY	REQD	NEXT ASSY.	ITEM



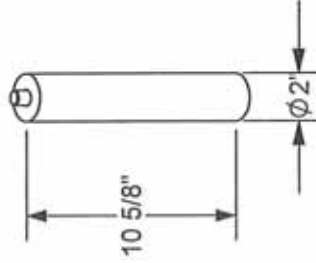
<b>BARRIER SYSTEMS INC</b> 180 RIVER RD. RIO VISTA, CA 94571 TEL: 707-374-6800 FAX: 707-374-6801		Standard Tolerance Angular $\pm 1/2^\circ$ Fractional $\pm 1/16"$ Dec. XXX= $\pm .010$ Dec. XX= $\pm .030$		SCALE: 1:1 DATE INIT. 2/28/07 DN DRAWN BY APPRD BY		TITLE: BULKHEAD		SHEET 1 OF 1		DRAWING NUMBER B030704-NY		REV. REV.	
REV.	CHANGES	DATE	BY	REQ'D	NEXT ASSY.	ITEM							

Bill Number: K001005

Rev: A

74

Item	Qty	Part Description	Part#	U/M
	2	TAU II FRONT LEG SUPPORT	B020102	EACH
	2	C-SCR 16MM -2.0x50mm CLASS 8.8	2001452	EACH
	2	WASHER 1MM CLASS 8.8 FLAT RD ME	2001453	EACH



2.6#

SCALE: 1:1	DATE	INIT.	Standard Tolerance
DRAWN BY .02/28/07	DN	DN	Angular ± 1/2°
APPRD BY			Fractional ± 1/16"
TITLE:			Dec .XXX± ± .010
			Dec .XX± ± .030

**BARRIER SYSTEMS INC**

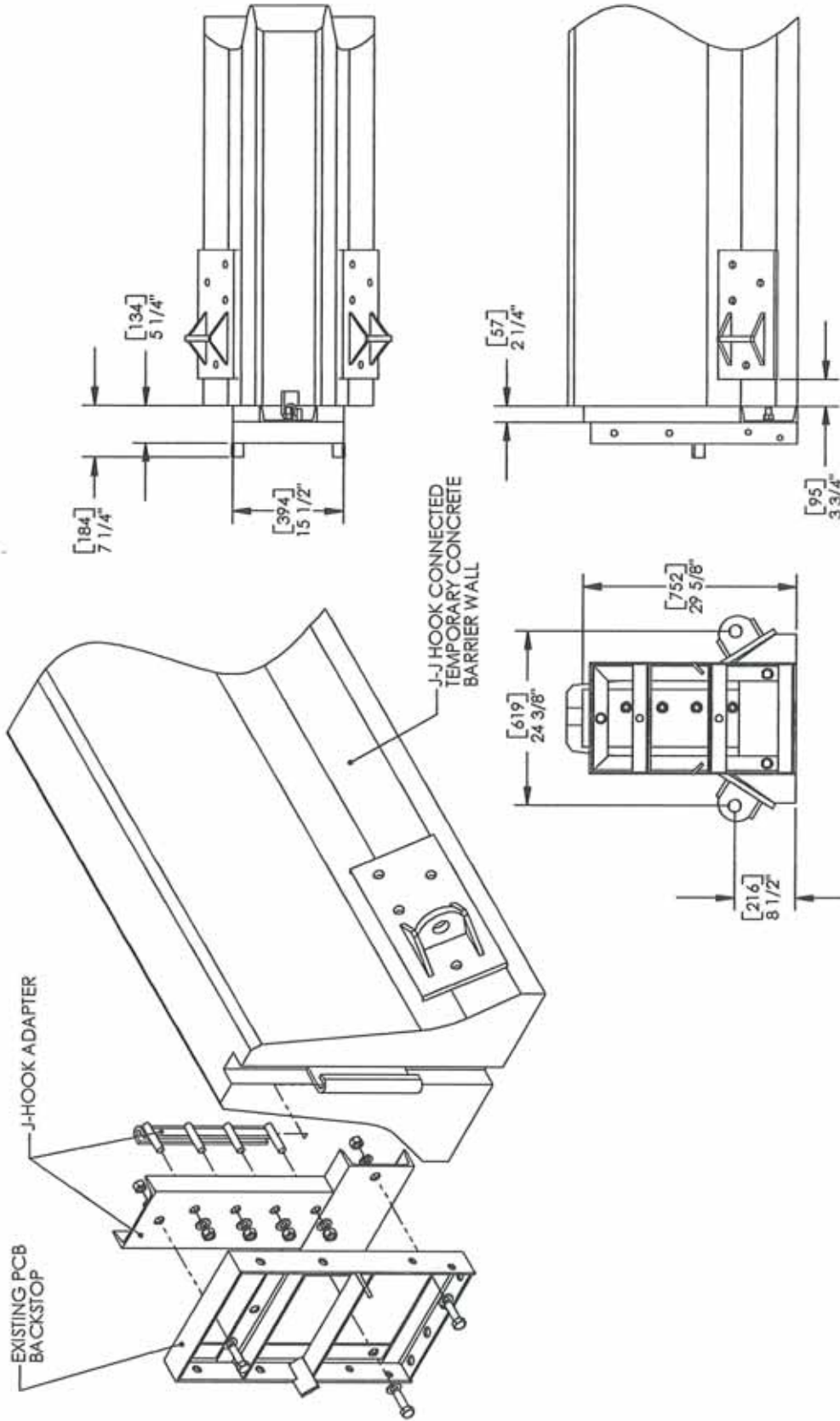
180 RIVER RD. RIO VISTA, CA 94571  
TEL: 707-374-8600 FAX: 707-374-8601

SHEET	DRAWING NUMBER	REV.
1 OF 1	K001005-NY	

TAU II FRONT SUPPORT LEG KIT

REV.	CHANGES	DATE	BY	REQD	NEXT ASSY.	ITEM





© 2003 Barrier Systems Inc. The information herein is proprietary to Barrier Systems Inc. and must be protected, duplicated or used otherwise without the express written approval of Barrier Systems Inc.		SCALE 1:14 DRAWN BY: JSM DATE: 03/20/04 UNIT: USM PROJECT: Dec. 0004-4.010 DATE: 0004-4.010 DRAWN BY: JSM		MODEL: B040221 DRAWING NUMBER: B040221 REV:	
TITLE: PCB ADAPTER TO J-HOOK TEMPORARY CONCRETE BARRIER ASSEMBLY		DATE BY: 1 REV: 1 CHANGES:		DATE BY: 1 REV: 1 CHANGES:	

**NOTE:**  
 THICKNESS OF WELD TO BE EQUAL  
 TO THE THINNER OF 2 PIECES  
 BEING JOINED. WELD TO BE ALL  
 AROUND UNLESS OTHERWISE SPECIFIED

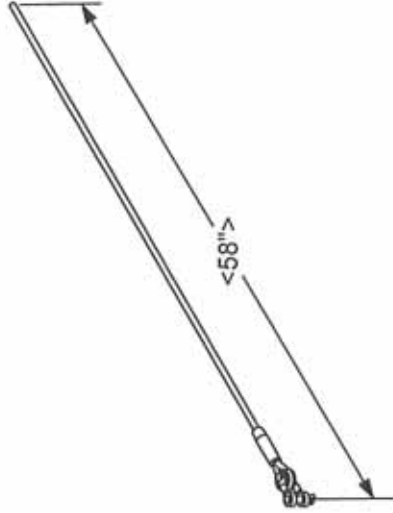
Bill Number: K001031

Rev: A

76

3.6#

Item	Qty	Part Description	Part#	U/M
	8	WIDE TAU CABLE ASSEMBLY LATERAL SUP	B031034	EACH
	24	CABLE CLAMP 1/2 DROP FORGED WI	4000070	EACH
	16	CABLE TIE 15X1/4 DIA UV BLK NY	4002138	EACH



**BARRIER SYSTEMS INC**

180 RIVER RD, RIO VISTA, CA 94571  
TEL: 707-374-8800 FAX: 707-374-8801

SHEET 1 OF 1 DRAWING NUMBER K001031-NY REV.

Standard Tolerance  
 Angular  $\pm 1/2^\circ$   
 Fractional  $\pm 1/16"$   
 Dec .XXX  $\pm .010$   
 Dec .XX  $\pm .030$

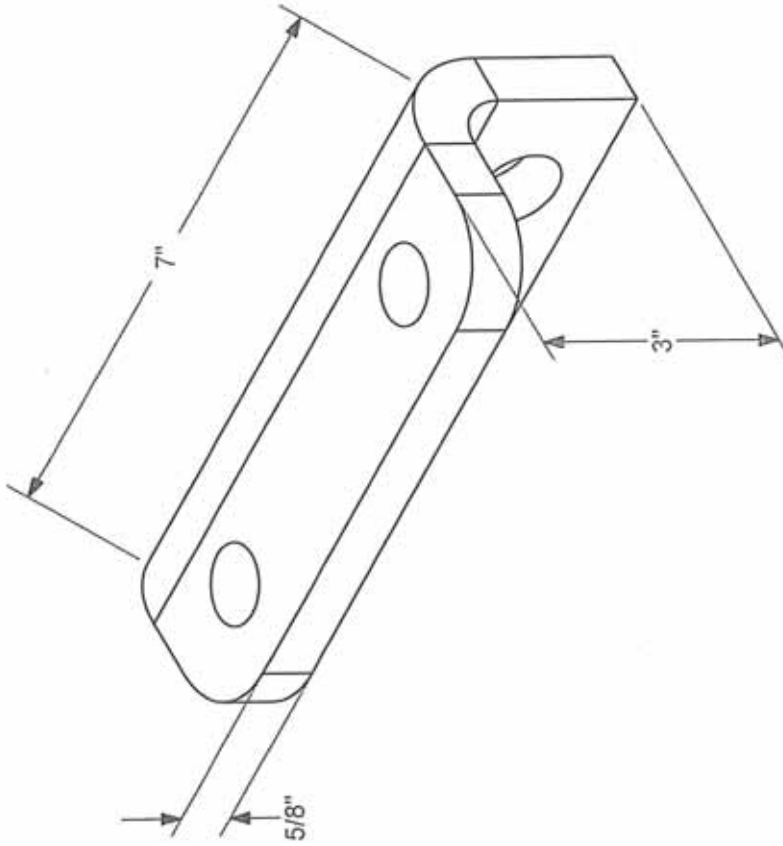
SCALE: 1:1

DATE	INIT.
04/12/07	DN
DRAWN BY	
APPRD BY	

TITLE:

LATERAL SUPPORT CABLE KIT

REV.	CHANGES	DATE	BY	REQD	NEXT ASSY.	ITEM



SCALE: 1:1

DATE	INIT.
03/09/07	DN

DRAWN BY: [blank]  
 APPRD BY: [blank]

TITLE: WIDE TAU LATERAL BACKSTOP CABLE

Standard Tolerance

Angular	±	1/2°
Fractional	±	1/16"
Dec XXXs	±	.010
Dec .XXs	±	.030

**BARRIER SYSTEMS INC**  
 180 RIVER RD, RIO VISTA, CA 94571  
 TEL: 707-374-6800 FAX: 707-374-6801

SHEET	DRAWING NUMBER	REV.
1 OF 1	B031011-NY	2

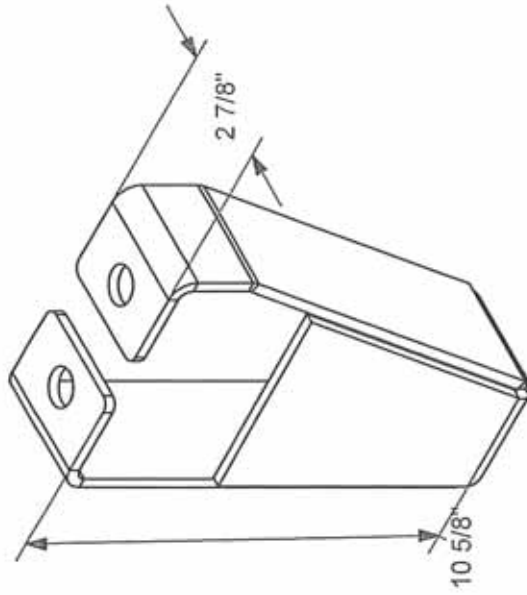
REV.	CHANGES	DATE	BY	REQD	NEXT ASSY.	ITEM





79

8#



SCALE: 1:1  
 DATE 03/07/07  
 DRAWN BY INIT. DN  
 APPRD BY  
 TITLE: WIDE TAU LEG REV 2

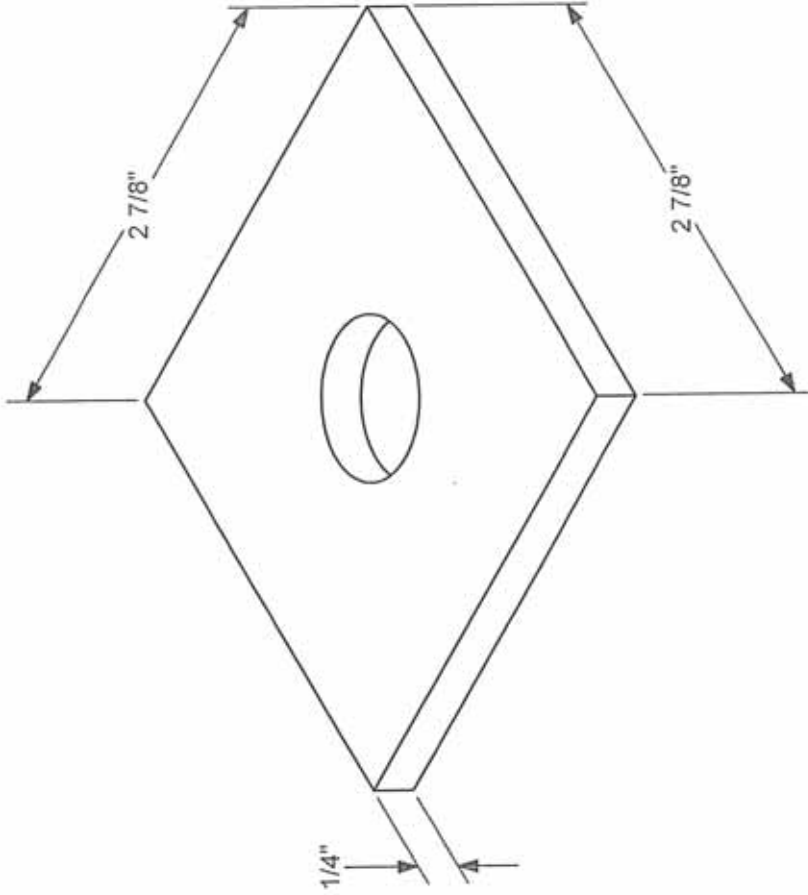
Standard Tolerance  
 Angular ± 1/2°  
 Fractional ± 1/16"  
 Dec XXX± ± .010  
 Dec .XX± ± .030

**BARRIER SYSTEMS INC**  
 180 RIVER RD, RIO VISTA, CA 94571  
 TEL: 707-374-6800 FAX: 707-374-6801

SHEET 1 OF 1  
 DRAWING NUMBER B030425-NY  
 REV. 2

REV.	CHANGES	DATE	BY	REQ'D	NEXT ASSY.	ITEM

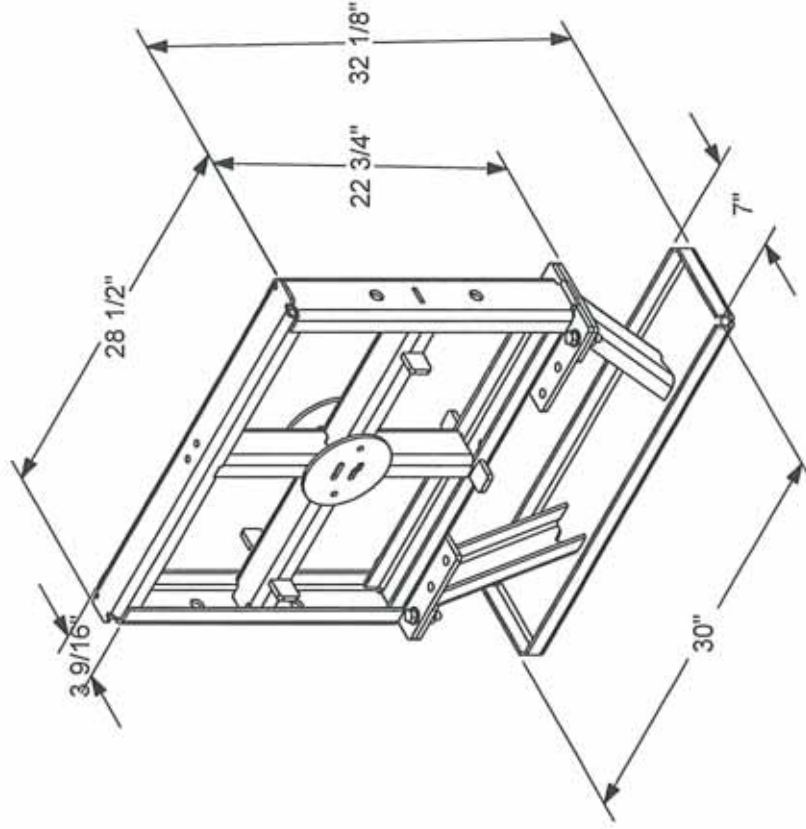




0.5#

<b>BARRIER SYSTEMS INC</b> 180 RIVER RD, RIO VISTA, CA, 94571 TEL: 707-374-6800 FAX: 707-374-6801		SHEET 1 OF 1	DRAWING NUMBER B030551-NY	REV. REV.		
SCALE: 1:1 DATE: 03/08/07 DRAWN BY: DN APPRD BY:	Standard Tolerance Angular ± 1/2° Fractional ± 1/16" Dec XXX ± .010 Dec XX ± .030	TITLE: WIDE TAU LEVEL SPACER				
REV.	CHANGES	DATE	BY	REQD	NEXT ASSY.	ITEM

ITEM	QTY / DWG	BILL OF MATERIALS	MIDDLE SUPPORT ASSEMBLY	B030703-0
ITEM		PART DESCRIPTION	SPECIFICATION	PART #
1	1	MIDDLE SUPPORT WELDMENT	MIDDLE SUPPORT WELDMENT	B040330
2	1	LEG WELDMENT	LEG WELDMENT	B040331
3	4	HEX BOLT	MECH GALV, GR2, 12MM-1.75 X 50MM	2001454
4	4	HEX NUT	MECH GALV, GR2, 12MM-1.75	2001455
5	8	FLAT WASHER	MECH GALV, 12MM	2001456



SCALE: 1:1

DATE	INIT.
02/28/07	DN
DRAWN BY	
APPRD BY	

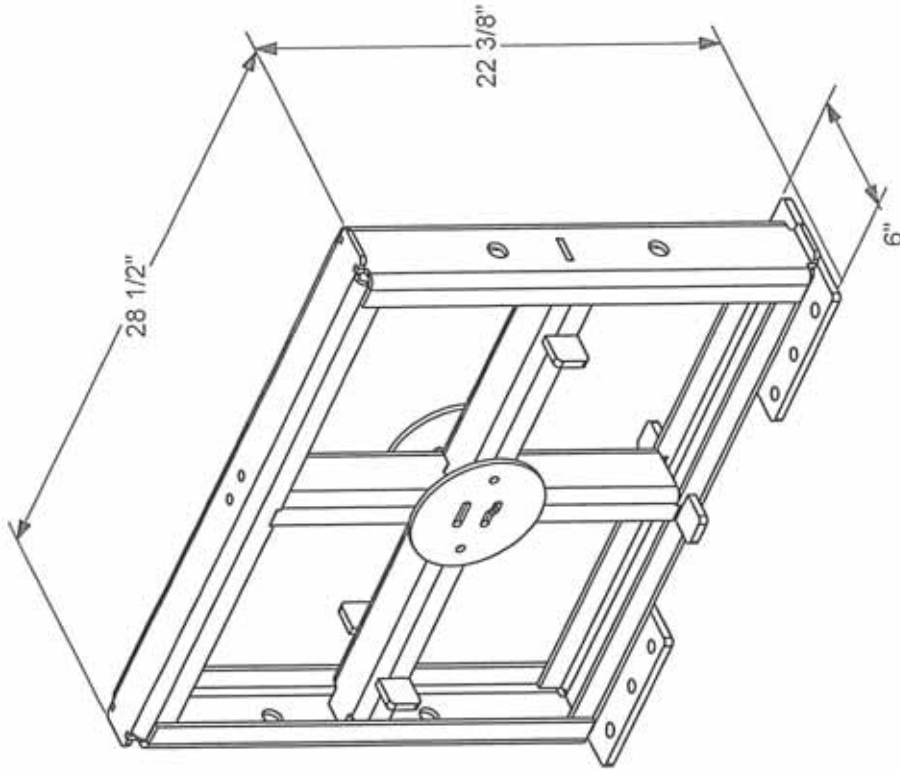
TITLE:  
TAU MIDDLE SUPPORT ASSEMBLY

REV.	CHANGES	DATE	BY	REQ'D	NEXT ASSY.	ITEM

**BARRIER SYSTEMS INC**  
 180 RIVER RD. RIO VISTA, CA 94571  
 TEL: 707-374-6800 FAX: 707-374-6801

SHEET	DRAWING NUMBER	REV.
1 OF 1	B030703-NY	

83



68#

SCALE: 1:1  
 DRAWN BY: 02/27/07  
 APPRD BY: DN  
 DATE: 02/27/07  
 INIT.:  
 DN  
 Dec XXX=  
 Dec XX=

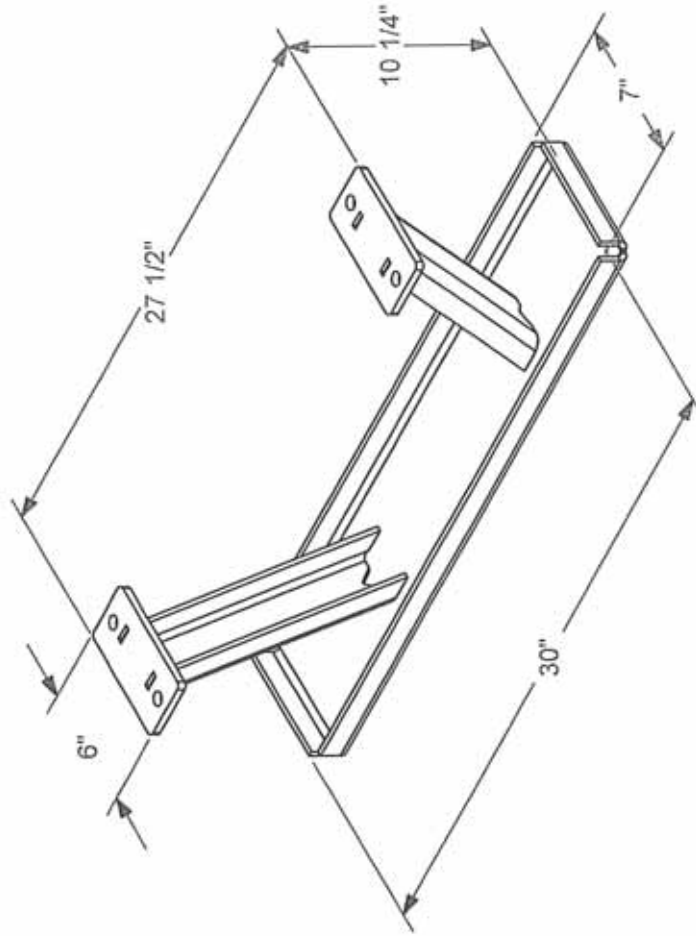
Standard Tolerance  
 Angular ± 1/2°  
 Fractional ± 1/16"  
 Dec XXX ± .010  
 Dec XX ± .030

TITLE:  
 MIDDLE SUPPORT WELDMENT

**BARRIER SYSTEMS INC**  
 180 RIVER RD, RIO VISTA, CA 94571  
 TEL: 707-374-6800 FAX: 707-374-6801

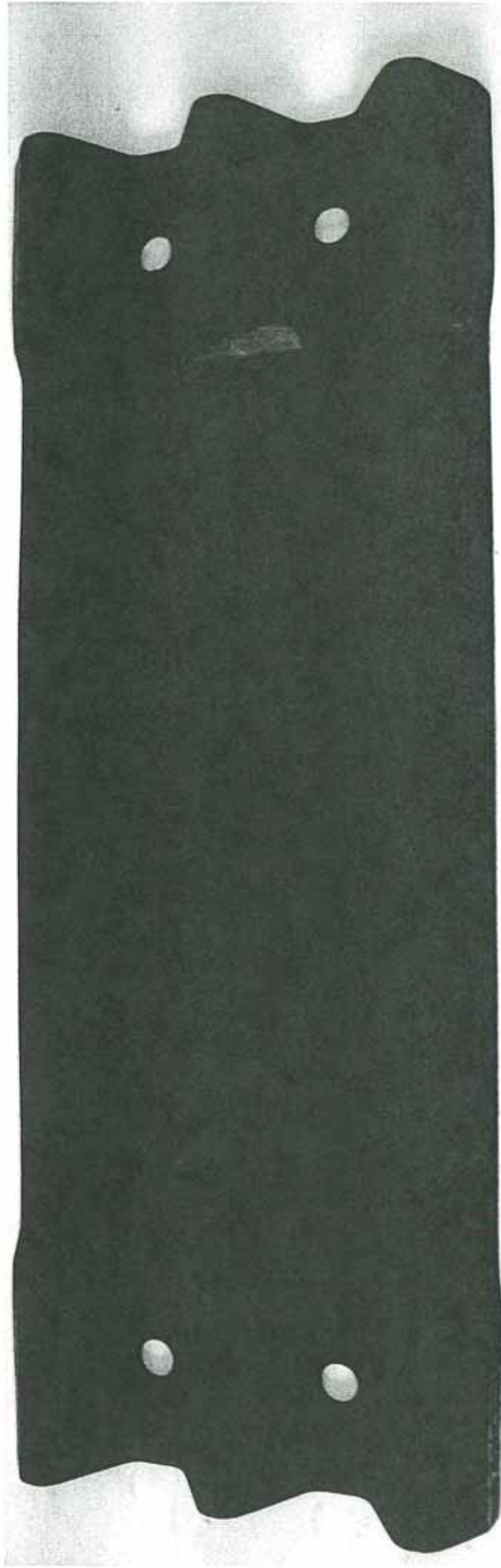
REV.	CHANGES	DATE	BY	REQD	NEXT ASSY.	ITEM	SHEET	DRAWING NUMBER	REV.
							1 OF 1	B040330-NY	





<b>BARRIER SYSTEMS INC</b> 180 RIVER RD, RIO VISTA, CA 94571 TEL: 707-374-8800 FAX: 707-374-8801		Standard Tolerance Angular = 1/2° Fractional = 1/16" Dec .XXX = .010 Dec .XX = .030	
SCALE: 1:1 DRAWN BY: 02/27/07 APPRD BY:	DATE: 02/27/07 INIT.: DN	SHEET: 1 OF 1 DRAWING NUMBER: B040331-NY REV.:	TITLE: LEG WELDMENT MIDDLE SUPPORT
REV.	CHANGES	DATE BY REQD NEXT ASSY. ITEM	REV.

85

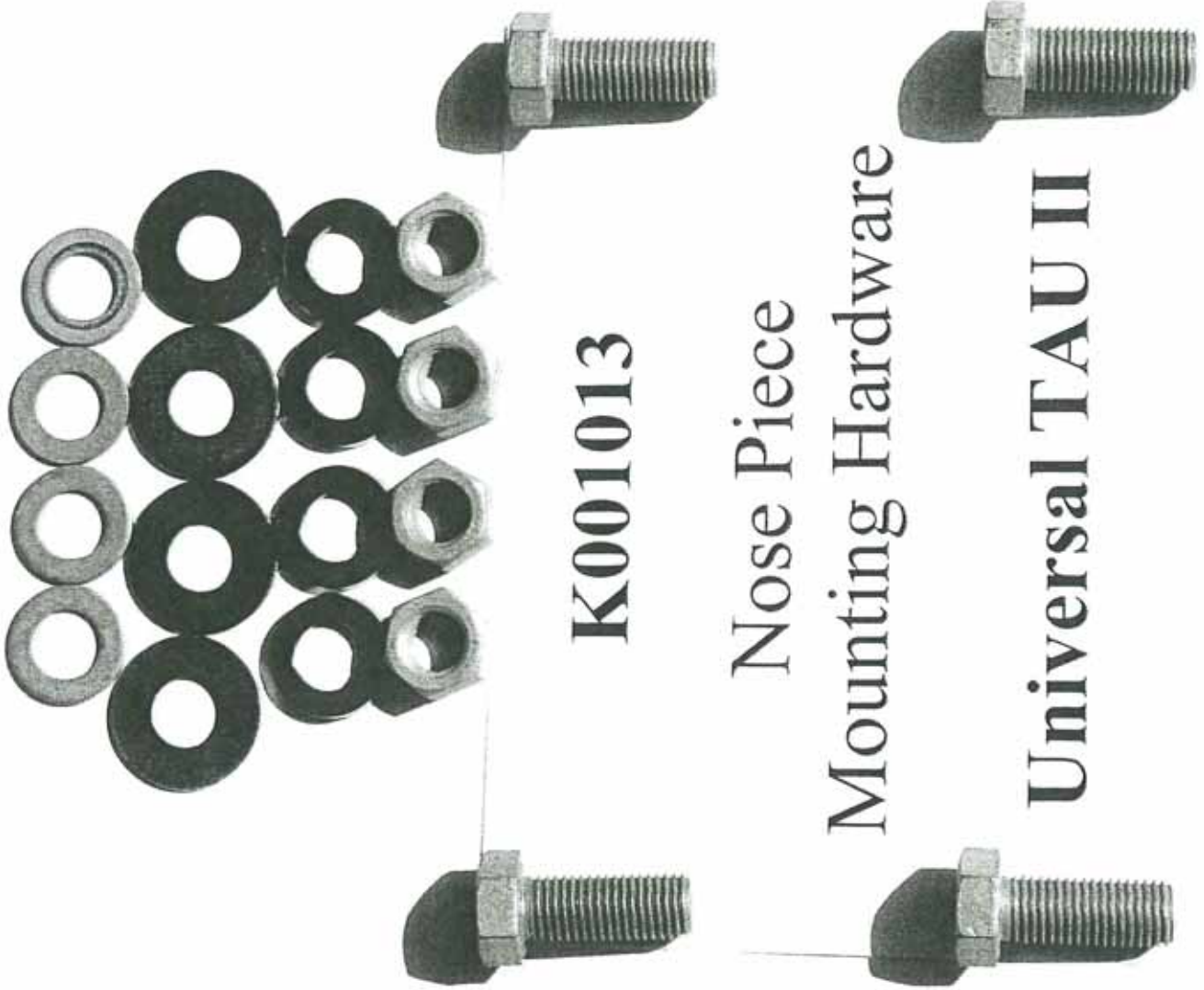


B010711

Nose Piece Plastic  
Black

Universal TAU II

10#

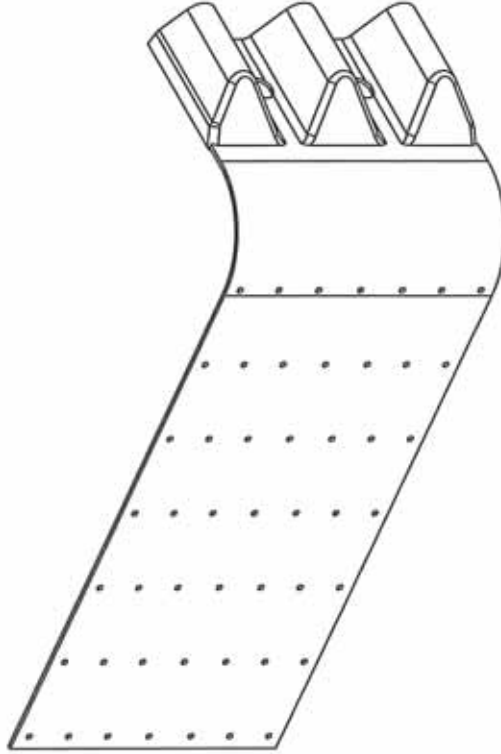


**K001013**

**Nose Piece  
Mounting Hardware**

**Universal TAU II**



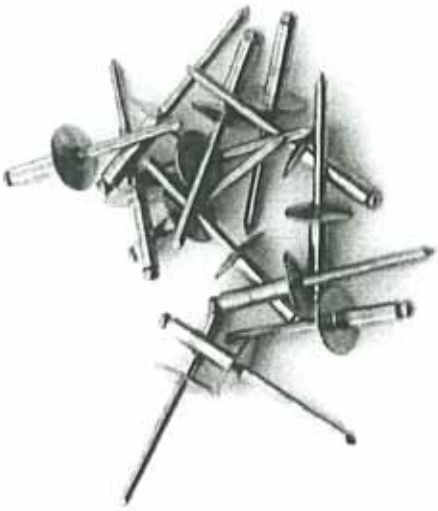


B050443 YELLOW (WIDE)

14#

REV.		CHANGES	DATE	BY	REQD	NEXT ASSY.	ITEM
TITLE:		NOSE PIECE (WIDE) BLACK					
SCALE: 1:1		Standard Tolerance					
		Angular		± 1/2°		± 1/16"	
		Fractional		± .010		± .030	
		Dec .XXX=					
		Dec .XX=					
DRAWN BY		DATE		INIT.			
APPR'D BY		04/16/07		DN			
BARRIER SYSTEMS INC		180 RIVER RD, RIO VISTA, CA 94571					
SHEET		DRAWING NUMBER				REV.	
1 OF 1		B030902-NY					

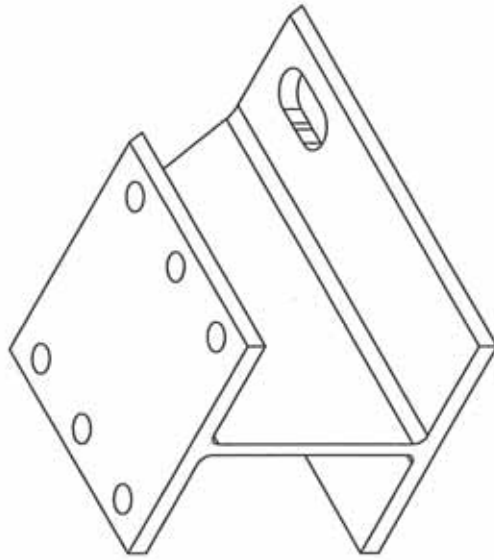




**K001033**

**Rivet Kit**  
Wide Nose Piece

90

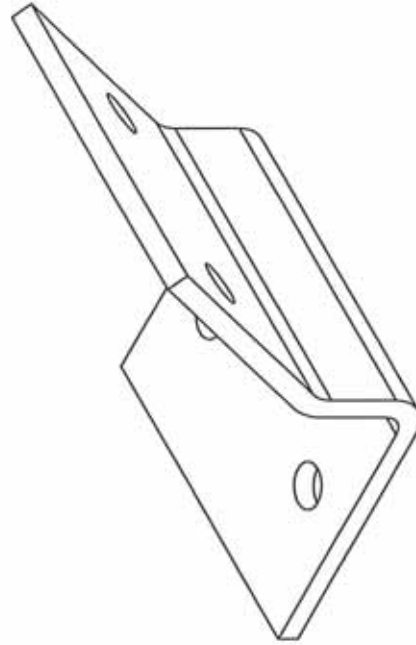


16#

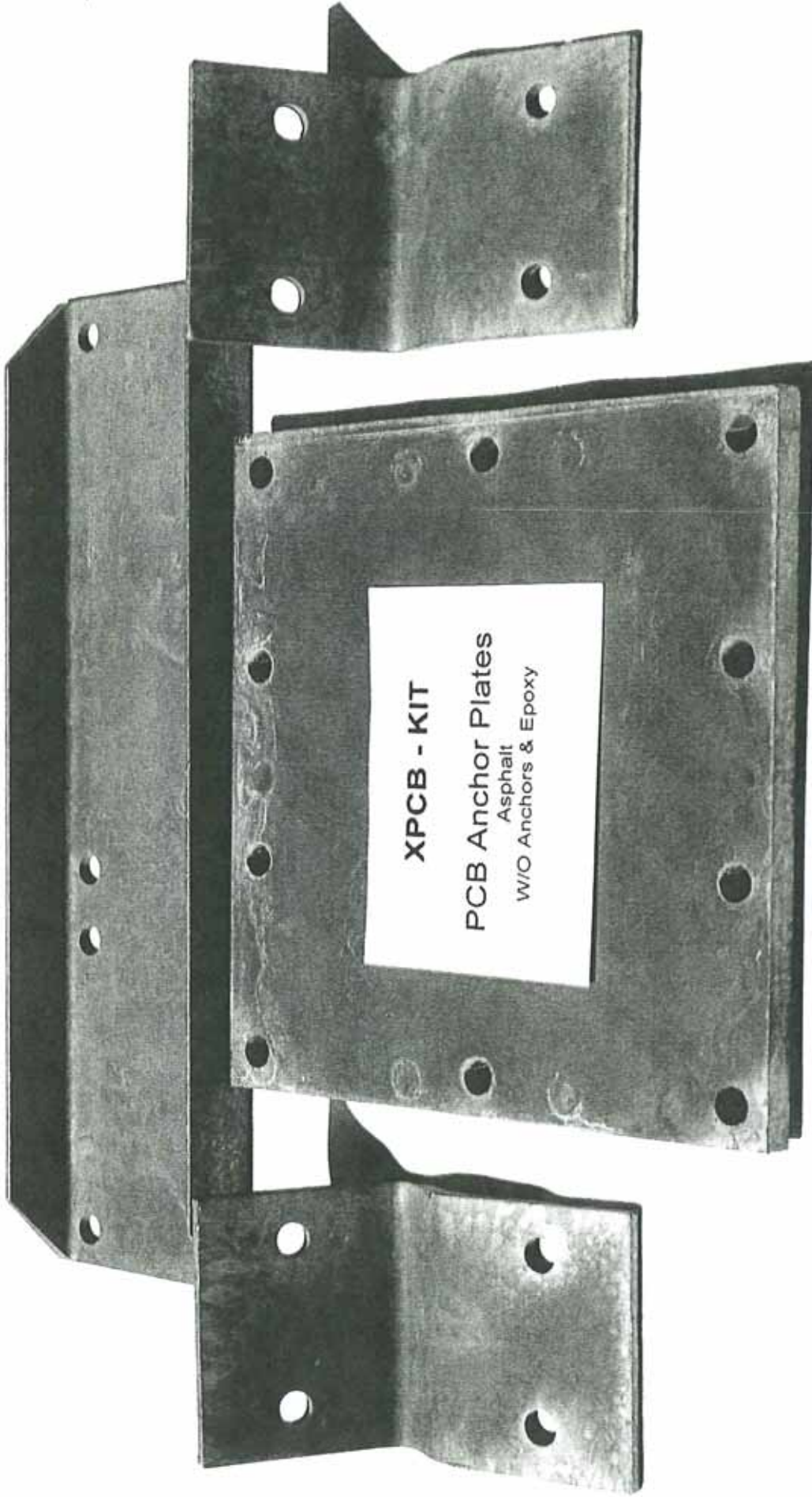
REV.	CHANGES	DATE	BY	REQ'D	NEXT ASSY.	ITEM
TITLE: PCB BRACE						
SCALE: 1:1		DATE	INIT.	Standard Tolerance		
		04/16/07	DN	Angular	± 1/2°	
DRAWN BY				Fractional	± 1/16"	
APPR'D BY				Dec .XXX=	± .010	
				Dec .XX=	± .030	
<b>BARRIER SYSTEMS INC</b> 180 RIVER RD. RIO VISTA, CA 94571 TEL. 707-374-6800 FAX. 707-374-6801						
SHEET		DRAWING NUMBER			REV.	
1 OF 1		B040319-NY				

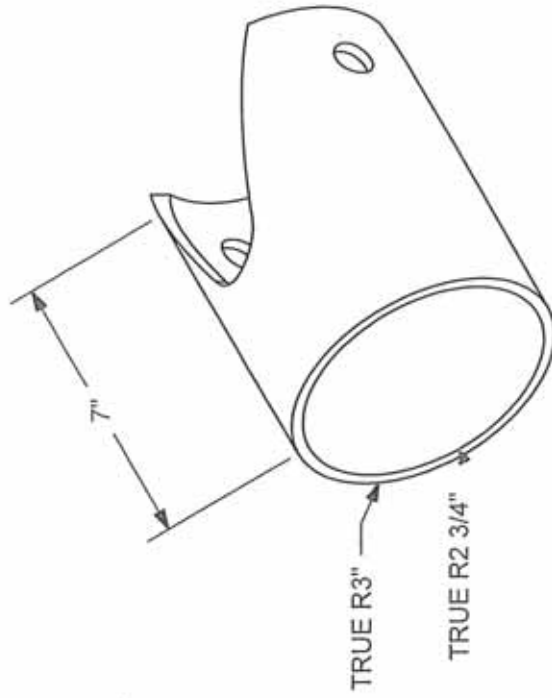
91

18#



SCALE: 1:1		DATE		INIT.		Standard Tolerance		1/2"				
DRAWN BY		04/16/07		DN		Angular		± 1/16"				
APPR'D BY						Fractional		± .010				
TITLE:						Dec .XXX"		± .010				
						Dec .XX"		± .030				
						PCB ANCHOR						
REV.	CHANGES	DATE	BY	REQ'D	NEXT ASSY.	ITEM						
							SHEET		DRAWING NUMBER		REV.	
							1 OF 1		B020409-NY			
							BARRIER SYSTEMS INC					
							180 RIVER RD, RIO VISTA, CA 94571					
							TEL: 707-374-6600 FAX: 707-374-6601					





SCALE: 1:1  
 DATE: 03/08/07  
 DRAWN BY: INIT.  
 APPR'D BY: DN

Standard Tolerance  
 Angular ± 1/2°  
 Fractional ± 1/16"  
 Dec XXX± ± .010  
 Dec .XX± ± .030

TITLE:  
 PIPE PANEL MOUNT TAU II

**BARRIER SYSTEMS INC**

180 RIVER RD, RIO VISTA, CA 94571  
 TEL: 707-374-6600 FAX: 707-374-6601

SHEET: 1 OF 1  
 DRAWING NUMBER: B010651REV2-NY  
 REV.: 2

REV.	CHANGES	DATE	BY	REQD	NEXT ASSY.	ITEM



Bill Number: K001017

Rev: A

94

Item	Qty	Part Description	Part#	U/M
	4	C-SCR HH M20-2.5x50 Cl 8.8 MGa	2001449	EACH
	8	Wshr Fl M20 Gr5.8 MGal	2001611	EACH
	4	Nut HN M20-2.5 Cl 8.8 MGal	2001451	EACH



2.3#

SCALE: 1:1

DATE	INIT.
03/08/07	DN

DRAWN BY

APPRD BY

TITLE: TAU PIPE PANEL HARDWARE

Standard Tolerance

Angular	±	1/2°
Fractional	±	1/16"
Dec .XXX=	±	.010
Dec .XX=	±	.030

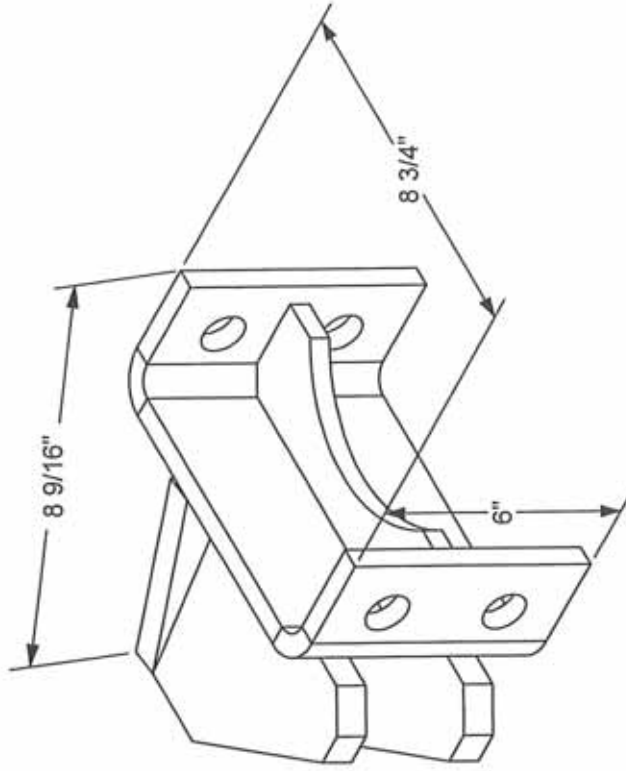
**BARRIER SYSTEMS INC**

180 RIVER RD, RIO VISTA, CA 94571  
 TEL: 707-374-8800 FAX: 707-374-8801

SHEET 1 OF 1

DRAWING NUMBER K001017- REV.

REV.	CHANGES	DATE	BY	REQ'D	NEXT ASSY.	ITEM



Standard Tolerance  
 Angular ± 1/2°  
 Fractional ± 1/16"  
 Dec .XXX± ± .010  
 Dec .XX± ± .030

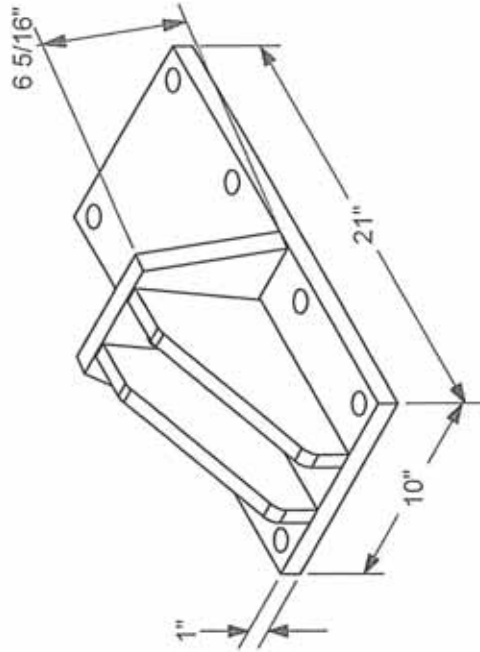
SCALE: 1:1  
 DATE INIT.  
 DRAWN BY 03/09/07 DN  
 APPR'D BY

TITLE:  
 WIDE TAU REAR CABLE ANCHOR BASE

REV. CHANGES DATE BY REQ'D NEXT ASSY. ITEM

**BARRIER SYSTEMS INC**  
 180 RIVER RD, RIO VISTA, CA 94571  
 TEL: 707-374-6800 FAX: 707-374-6801

SHEET	DRAWING NUMBER	REV.
1 OF 1	B031020-	



SCALE: 1:1  
 DRAWN BY: 03/08/07  
 APPRD BY: DN  
 DATE: INIT.  
 TITLE: WIDE TAU REAR CABLE ANCHOR WELDMENT

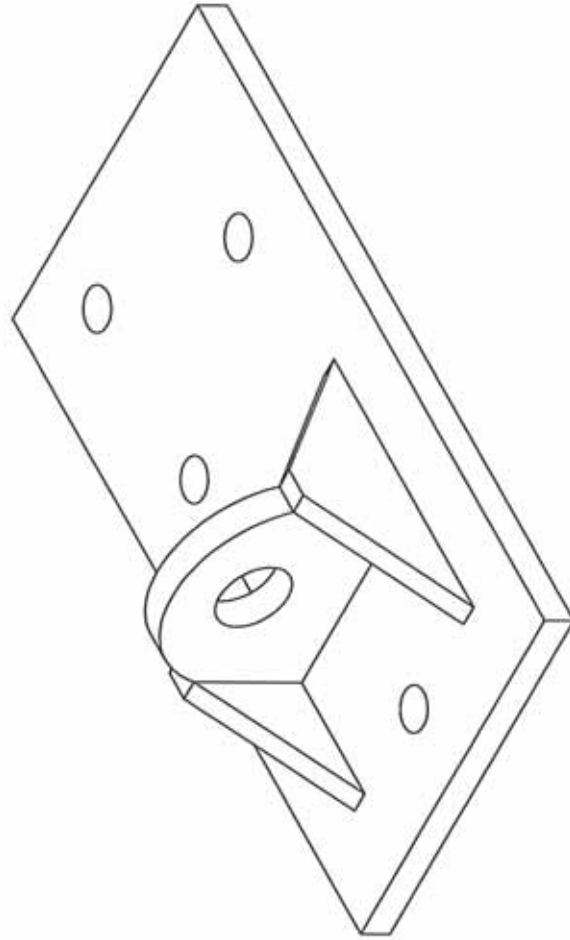
Standard Tolerance  
 Angular ± 1/2°  
 Fractional ± 1/16"  
 Dec .XXX± .010  
 Dec .XX± .030

**BARRIER SYSTEMS INC**

180 RIVER RD, RIO VISTA, CA 94571  
 TEL: 707-374-6600 FAX: 707-374-6601

SHEET 1 OF 1  
 DRAWING NUMBER B030938-NY  
 REV.

REV.	CHANGES	DATE	BY	REQD	NEXT ASSY.	ITEM



Standard Tolerance  
 Angular ± 1/2°  
 Fractional ± 1/16"  
 Dec .XXX± .010  
 Dec .XX± .030

SCALE: 1:1  
 DATE 03/09/07  
 DRAWN BY DN  
 APPRD BY

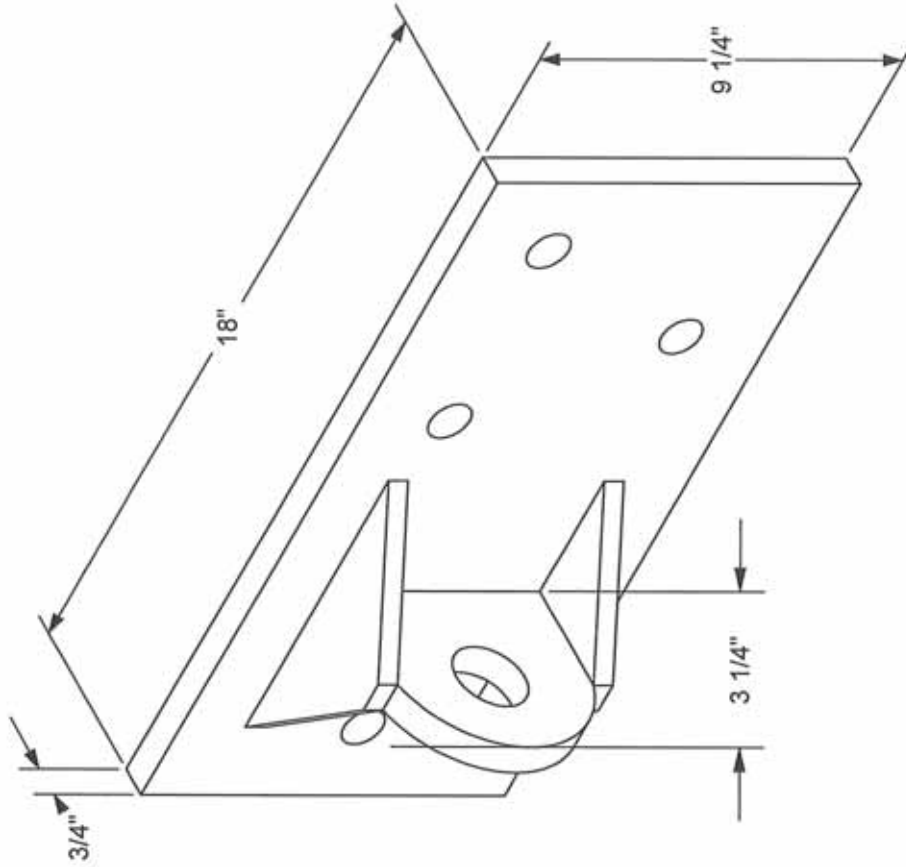
TITLE: R.H. CABLE ANCHOR TAU II

**BARRIER SYSTEMS INC**

180 RIVER RD, RIO VISTA, CA 94571  
 TEL: 707-374-6800 FAX: 707-374-6801

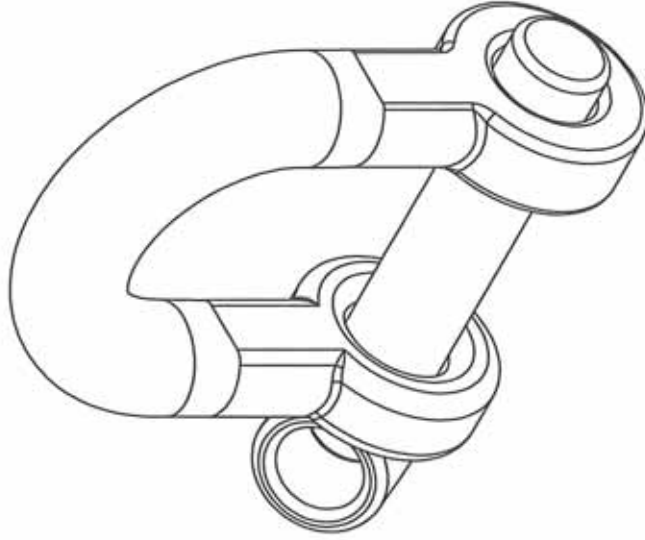
SHEET	DRAWING NUMBER	REV.
1 OF 1	B010929-NY	

REV.	CHANGES	DATE	BY	REQ'D	NEXT ASSY.	ITEM



<b>BARRIER SYSTEMS INC</b> 180 RIVER RD. RIO VISTA, CA 94571 TEL: 707-374-6800 FAX: 707-374-6801		Standard Tolerance Angular ± 1/2° Fractional ± 1/16" Dec .XXX ± .010 Dec .XX ± .030			
SCALE: 1:1		DATE INIT. 03/09/07 DN			
DRAWN BY APPROV BY		TITLE: L.H. CABLE ANCHOR TAU II PCB			
REV.	CHANGES	DATE	BY REQ'D	NEXT ASSY.	ITEM
SHEET 1 OF 1		DRAWING NUMBER B11041-NY		REV.	





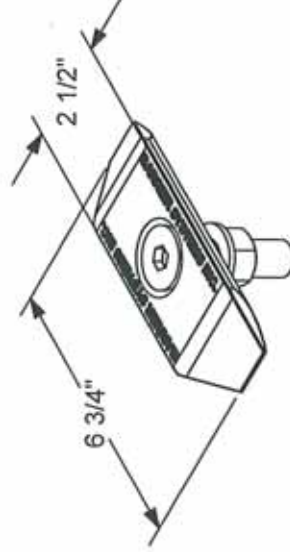
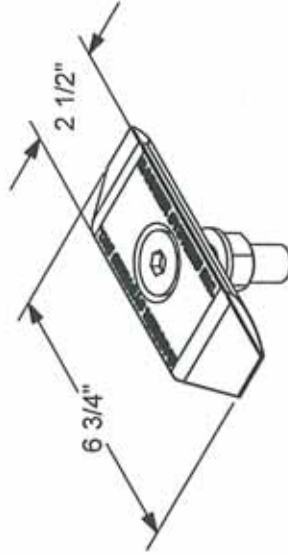
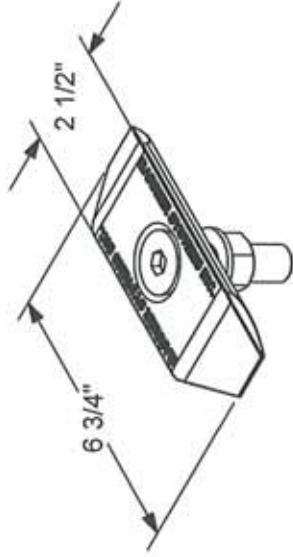
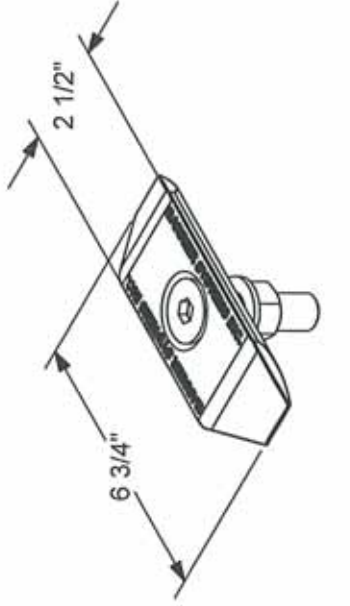
<b>BARRIER SYSTEMS INC</b> 180 RIVER RD, RIO VISTA, CA 94571 TEL: 707-374-6800 FAX: 707-374-6801		Standard Tolerance Angular ± 1/2° Fractional ± 1/16" Dec XXX± ± .010 Dec .XX± ± .030		SCALE: 1:1 DATE 04/18/07 DRAWN BY DN APPRD BY DN TITLE: SHACKLE		SHEET 1 OF 1 DRAWING NUMBER 4002120-NY REV.	
REV.	CHANGES	DATE	BY	REQD	NEXT ASSY.	ITEM	

Bill Number: K001003

Rev: A

100

Item	Qty	Part Description	Part#	U/M
	4	Tau Slider Flat Head rev "A"	B010914	EACH
	4	C-SCR FSH M20-2.5x80mm MGal CI	2001497	EACH
	4	Nut HN M20-2.5 CI 8.8 MGal	2001451	EACH
	4	W shr FI M20 Gr5.8 MGal	2001611	EACH



12.9#

SCALE: 1:1

DATE	INIT.
DRAWN BY 02/28/07	DN
APPR'D BY	

TITLE: TAU II SLIDER KIT

Standard Tolerance	± 1/2"
Angular	± 1/16"
Fractional	± .010
Dec XXX	± .030
Dec .XXe	±

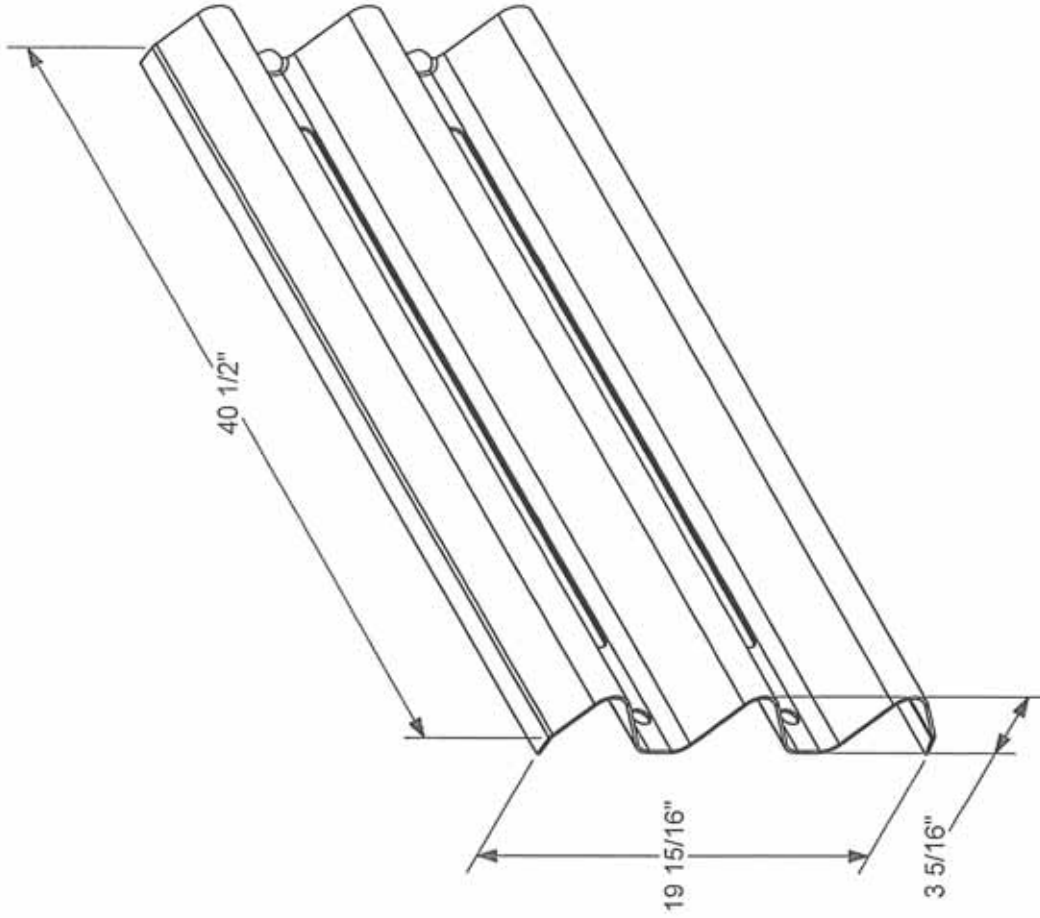
**BARRIER SYSTEMS INC**  
 180 RIVER RD, RIO VISTA, CA 94571  
 TEL: 707-374-6800 FAX: 707-374-6801

SHEET	DRAWING NUMBER	REV.
1 OF 1	K001003-NY	

REV.	CHANGES	DATE	BY	REQD	NEXT ASSY.	ITEM

101

44#

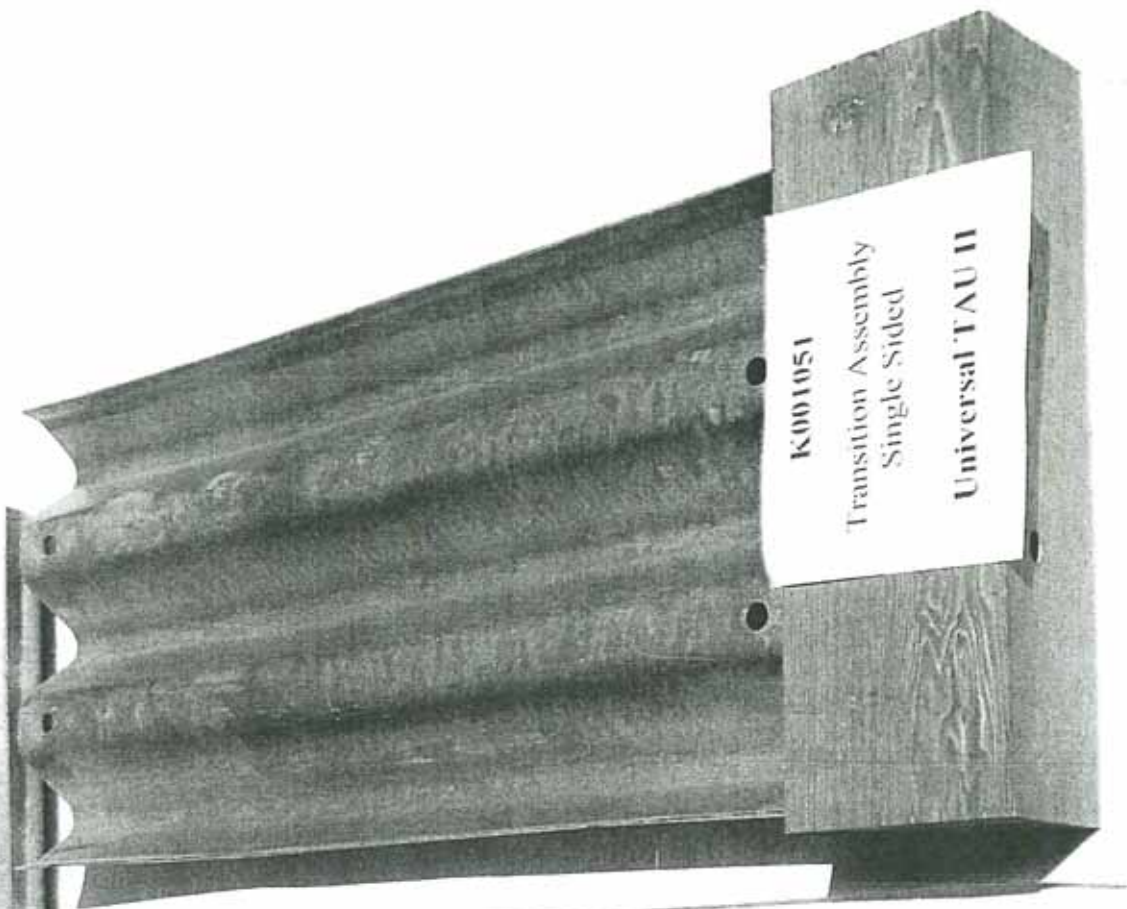
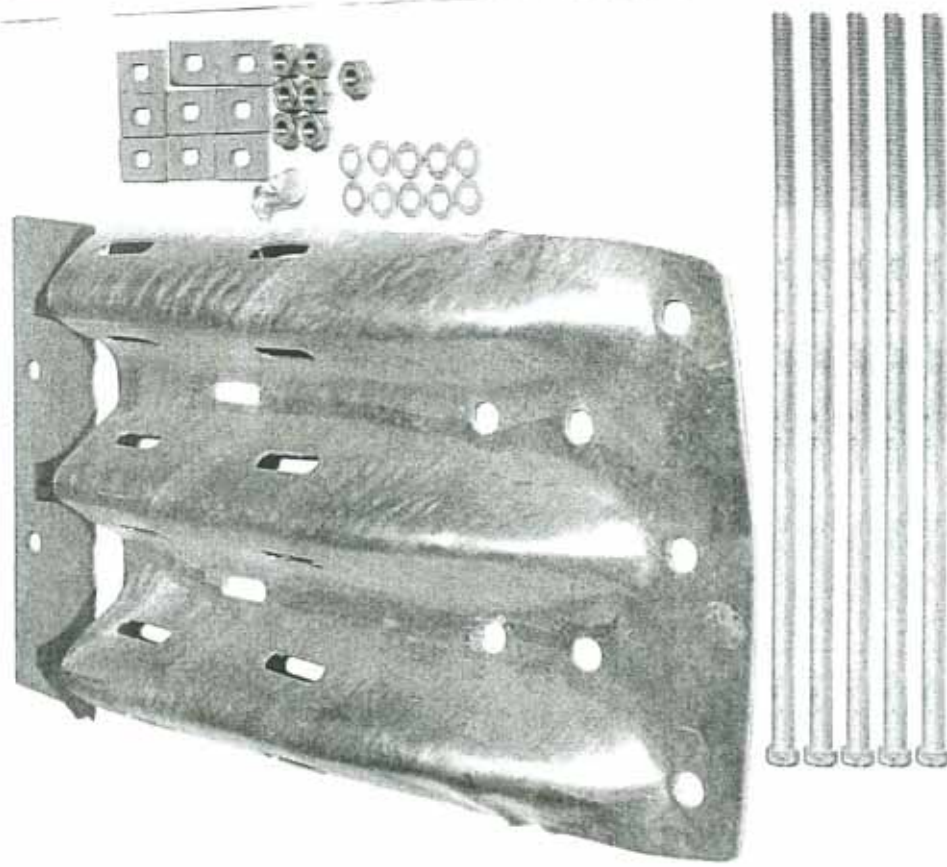


<b>BARRIER SYSTEMS INC</b> 180 RIVER RD, RIO VISTA, CA 94571 TEL: 707-374-6800 FAX: 707-374-6801		SHEET 1 OF 1		DRAWING NUMBER B010202-NY		REV.	
		SCALE: 1:8		DATE 02/28/07		STANDARD TOLERANCE ± 1/2"	
DRAWN BY: [ ]		DATE INIT. DN		Angular ± 1/16"		Fractional ± 1/16"	
APPR'D BY: [ ]		TITLE:		Dec .XXX± ± .010		Dec .XX± ± .030	
CHANGES		DATE BY REQD		NEXT ASSY. ITEM		SLIDING PANEL TAU II	





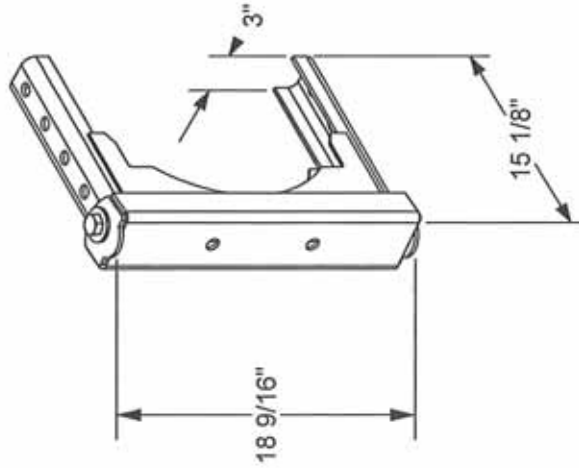
103



149#



Item	Qty	Part Description	Part#	U/M
1	1	Wide Tau Wing Wldmt Transition	B030911	EACH
2	1	Wide Tau Vertical Pivot Wldmt	B030510	EACH
3	2	Wshr SL 20mm Gr5.8 MGal	2001609	EACH
4	2	Nut HN M20-2.5 Gr5.8 MGal	2001614	EACH
5	2	Wshr FI M20 Gr5.8 MGal	2001611	EACH
6	2	C-SCR HH M20-2.5x65mm CL 8.8 M	2001581	EACH



SCALE: 1:1

DATE	INIT.
DRAWN BY 03/07/07	DN
APPR'D BY	

TITLE:  
WIDE TAU WING ASSEMBLY TRANSITION

Standard Tolerance  
 Angular ± 1/2°  
 Fractional ± 1/16"  
 Dec. XXX± .010  
 Dec. XX± .030

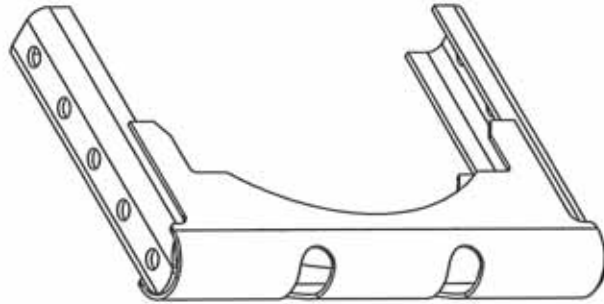
**BARRIER SYSTEMS INC**

180 RIVER RD, RIO VISTA, CA 94571  
 TEL: 707-374-6800 FAX: 707-374-6801

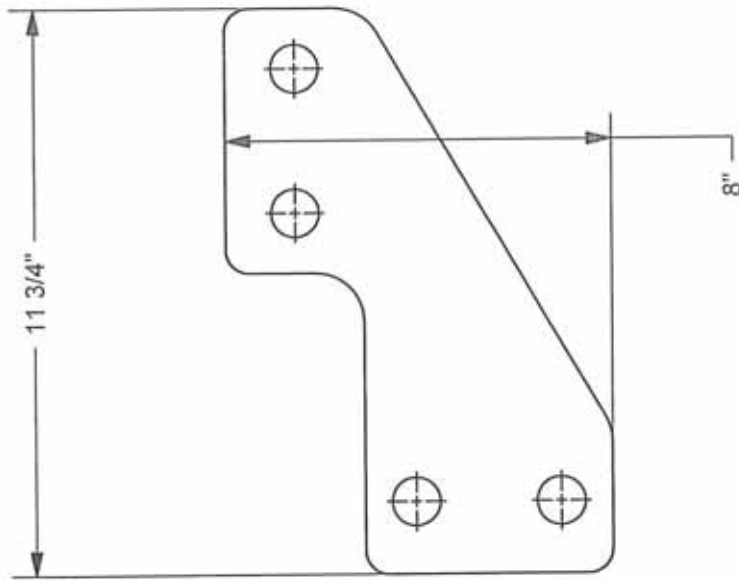
SHEET	DRAWING NUMBER	REV.
1 OF 1	B030910-NY	

REV.	CHANGES	DATE	BY	REQ'D	NEXT ASSY.	ITEM





<b>BARRIER SYSTEMS INC</b> 180 RIVER RD, RIO VISTA, CA 94571 TEL: 707-374-8800 FAX: 707-374-8801		SHEET 1 OF 1		DRAWING NUMBER B030911-NY		REV.	
SCALE: 1:1		DATE 04/18/07		INIT. DN		Standard Tolerance ± 1/2°	
DRAWN BY		DATE		INIT.		Angular ± 1/16°	
APPRD BY		DATE		INIT.		Fractional ± 0.010	
TITLE:		DATE		INIT.		Dec .XXX± ± .030	
WING WELDMENT, TRANSITION		DATE		INIT.		Dec .XX± ±	
REV.	CHANGES	DATE	BY	REQD	NEXT ASSY.	ITEM	



5.4#

SCALE: 1:1  
 DATE 03/09/07  
 DRAWN BY INIT. DN  
 APPR'D BY

Standard Tolerance  
 Angular ± 1/2°  
 Fractional ± 1/16"  
 Dec XXX± ± .010  
 Dec XX± ± .030

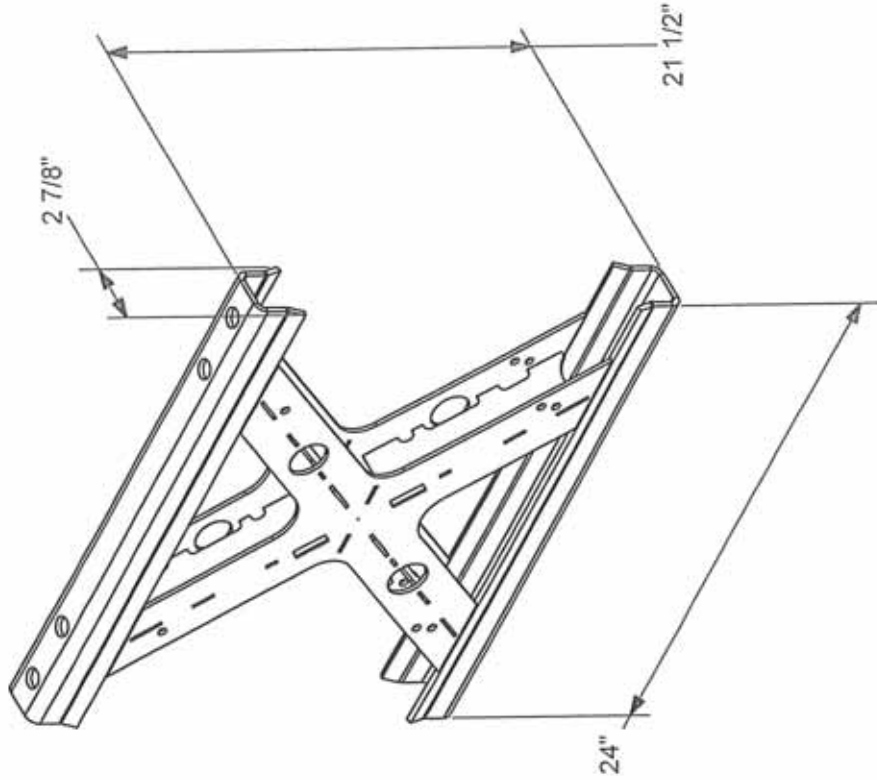
TITLE:  
 WIDE TAU WING BRACE BACKSTOP

**BARRIER SYSTEMS INC**

180 RIVER RD, RIO VISTA, CA 94571  
 TEL: 707-374-6800 FAX: 707-374-6801

SHEET 1 OF 1  
 DRAWING NUMBER B030821-NY  
 REV.

REV.	CHANGES	DATE	BY	REQD	NEXT ASSY.	ITEM



SCALE: 1:1

DATE	INIT.
03/07/07	DN
DRAWN BY	APPR'D BY

Standard Tolerance	± 1/2°
Angular	± 1/16"
Fractional	± .010
Dec .XXX=	± .030
Dec .XX=	±

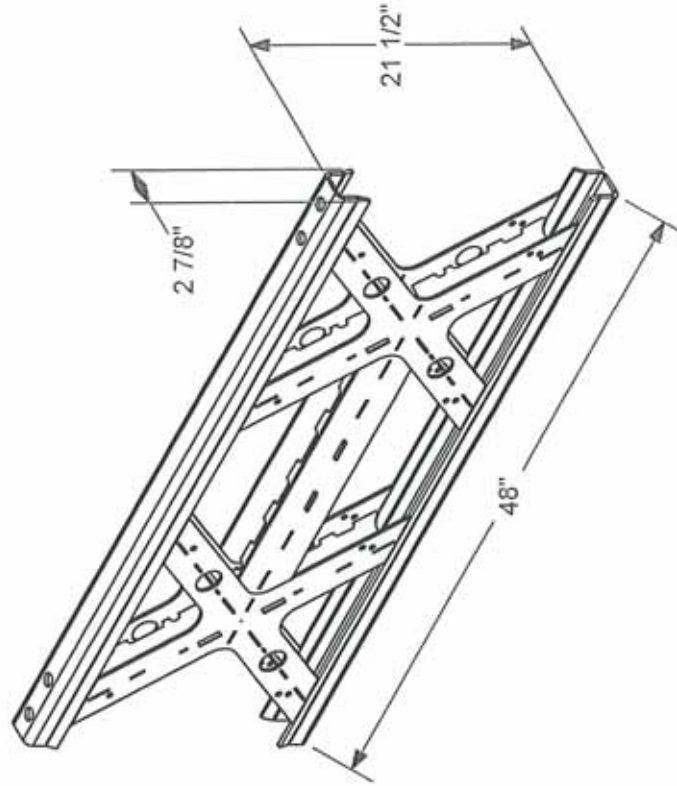
TITLE:  
WIDE TAU XL BULKHEAD WELDMENT

**BARRIER SYSTEMS INC**  
180 RIVER RD, RIO VISTA, CA 94571  
TEL: 707-374-6800 FAX: 707-374-6801

SHEET	DRAWING NUMBER	REV.
1 OF 1	B030521-NY	

REV.	CHANGES	DATE	BY	REQD	NEXT ASSY.	ITEM

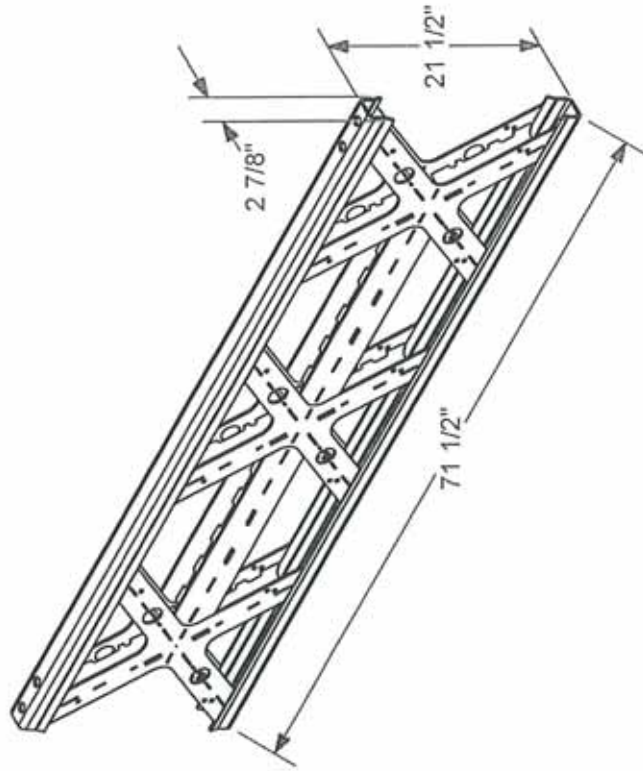




SCALE: 1:1		DATE		INIT.		Standard Tolerance	
DRAWN BY		03/07/07		DN		Angular ± 1/2°	
APPRD BY						Fractional ± 1/16"	
TITLE:						Dec .XXX± ± .010	
						Dec .XX± ± .030	
						BARRIER SYSTEMS INC	
						180 RIVER RD, RIO VISTA, CA 94571	
						TEL: 707-374-6800 FAX: 707-374-6801	
						SHEET	
						DRAWING NUMBER	
						REV.	
						1 OF 1	
						B030528-NY	
						WIDE TAU XXL BULKHEAD WELDMENT RE	
REV.		CHANGES		DATE		BY	
						REQD	
						NEXT ASSY.	
						ITEM	

110

130#



SCALE: 1:1		DATE		INIT.	Standard Tolerance	1/2"
DRAWN BY	03/07/07	DN	Angular	±	1/16"	
APPRD BY			Fractional	±	.010	
			Dec .XXX=	±	.030	
			Dec .XX=	±		
TITLE: WIDE TAU XXXL BULKHEAD WELDMENT R						
REV.	CHANGES	DATE	BY	REQ'D	NEXT ASSY.	ITEM

**BARRIER SYSTEMS INC**

180 RIVER RD, RIO VISTA, CA 94571  
 TEL: 707-374-6600 FAX: 707-374-6601

SHEET 1 OF 1  
 DRAWING NUMBER B030529-NY  
 REV.